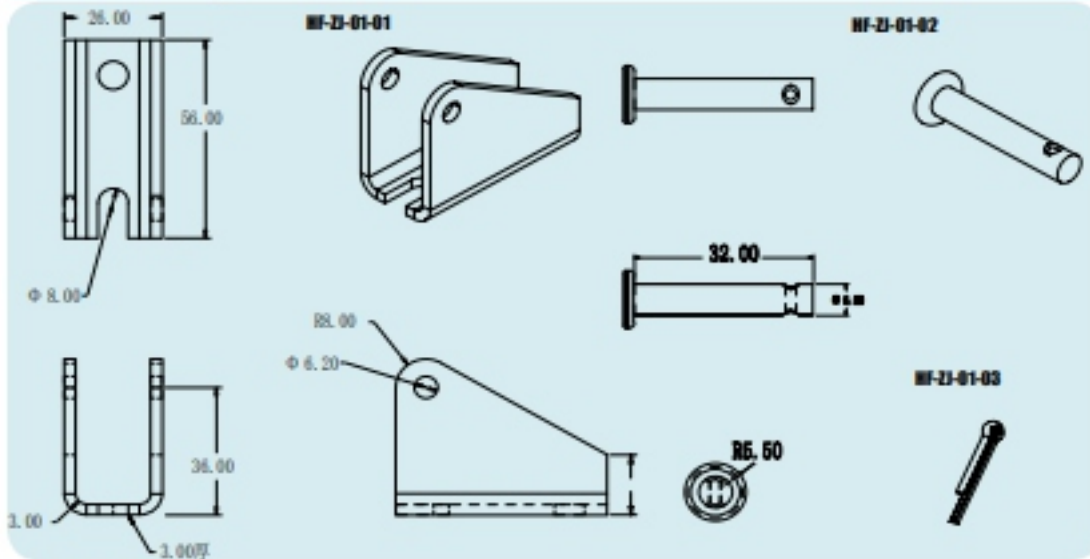


HF-ZJ-01

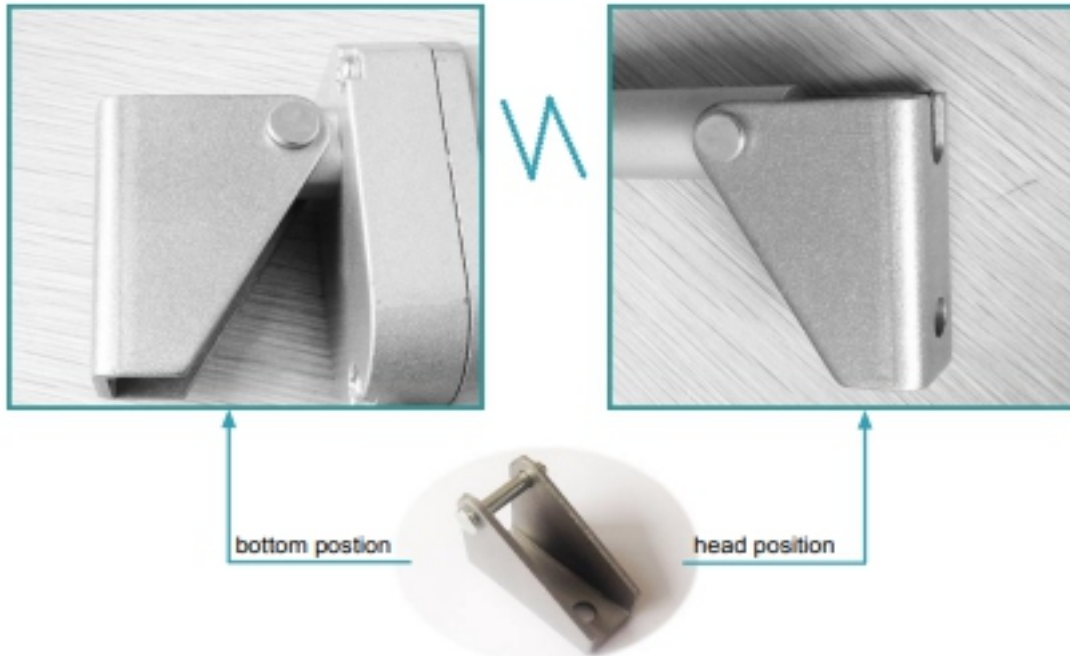
Introduction of mounting bracket

A3 material, vstamping article, PE coated, 3MM thick, could bearing 2500N push and pull pressure, equipped with 6MM screw and open pin. This mounting bracket could simplify electric linear actuator installation way by changing the hole mounting into surface mounting. It is suitable for TGA, TGA-DW, TGA-A, TGA-B, TGA-A-DW and TGE series.

Product drawing



Mounting way



order illustration

Comtomers could directly order this bracket through its modle NO. HF-ZJ-01, If mount it on electric linear actuaotr, $\phi 6$ mm through-hole should be made on pushrod. This mounting bracket-HF-ZJ-01 contains one HF-ZJ-01-01, one HF-ZJ-01-02 and one HF-ZJ-01-03

