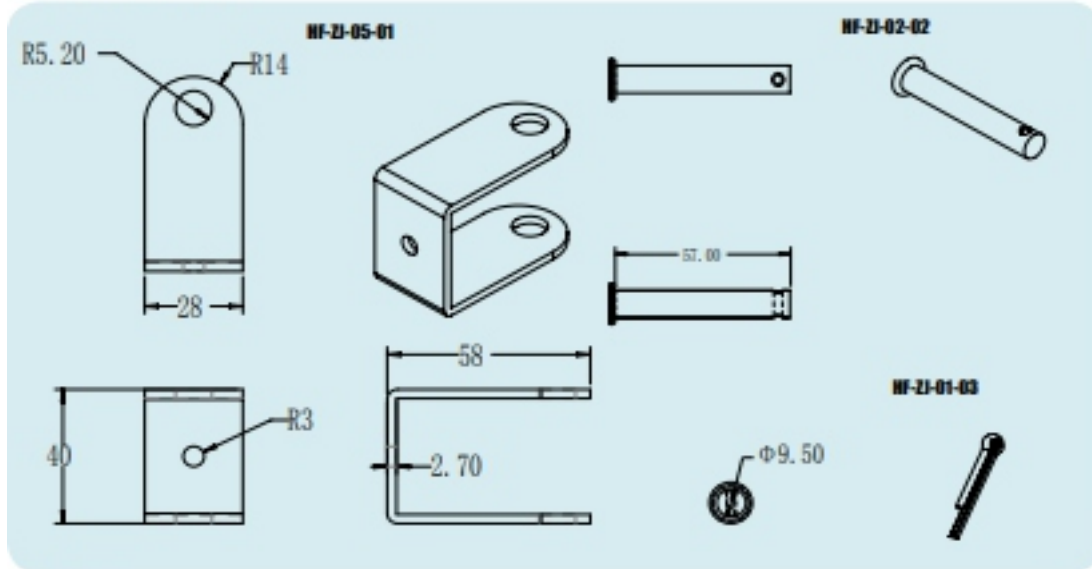


## HF-ZJ-05

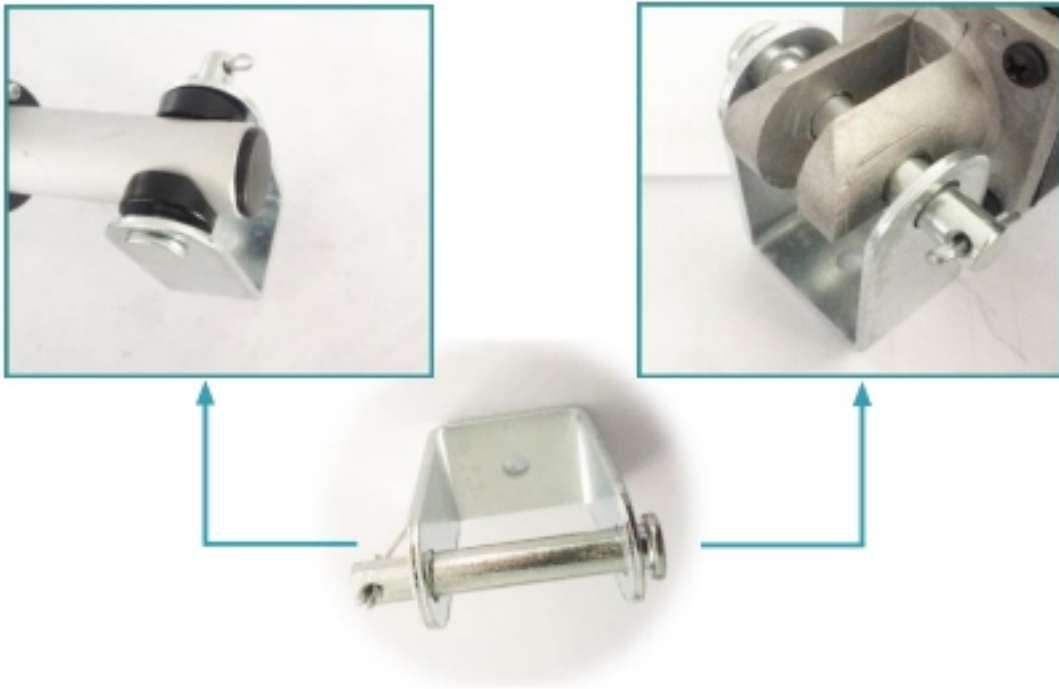
### Product introduction

Hot platen material; stamping article; PE coated; 2.7MM thick; could bearing 6000N pull or push pressure, equipped with  $\phi 9.5\text{MM}$  screw and open pin. This bracket could simplify mounting way, which changes hole mounting into surface mounting. It suits for TGB TGB-L, TGD series.

### Product drawings



### Mounting way



### Order illustration

You could directly order this bracket through its model NO. HF-ZJ-05. Should  $\phi 10\text{MM}$  through hole be made on pushrod if want to mounting it on electric linear actuator. One set HF-ZJ-05 contains one HF-ZJ-05-01, one HF-ZJ-02-02, and one HF-ZJ-01-03.

