

HF-TGA-E

DC electric linear actuator introduction

This type of compact-design and lightweight product is made of aluminium which could stop itself after stroke(customized size) end under the control of internal micro switch and dc motor gear -ratio box.It is easy and convenient to install and operate.for this characters, It replaces traditional hydraulic and air pressure in many aspects like lifting back of seat of airplane,ship and vehicle,medical and fire equipment,etc.

Machine characters

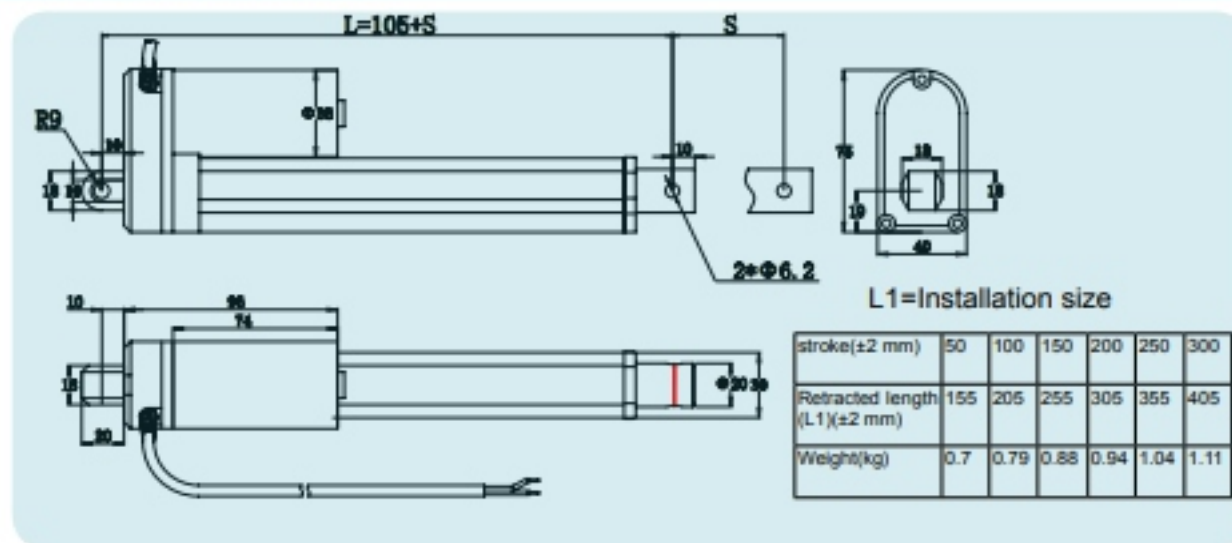
- Ambient temperature: -20°C~+65°C
- Aluminium alloy shell and pushrod
- IP Grade: IP54 or IP65
- Input voltage:12,24,36,48VDC
- Internal micro switch •powder metallurgy gear
- gracious outlook

Force date

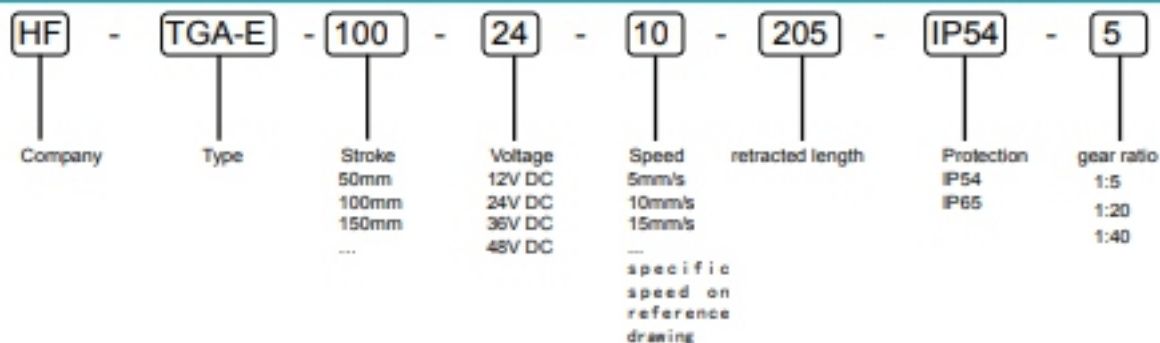
- Max load:1200N
- duty cycle: 20% (10% in high-speed condition)
- Max static load: 2300N
- working life:50000 Gear reduction ratio1:5,1:20,1:40 option



PERFORMANCE DIAGRAMS



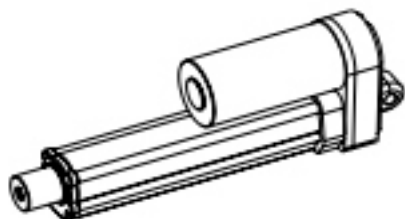
HOW TO ORDER



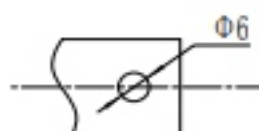
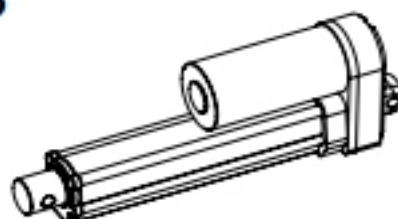
Product drawings

reduct- ion ratio	lead screw	free load speed	load - max speed	max push force	max pull force	static load	free load current	load voltage current	free load current	load current	free load current	load current	free load current	full load current
iongear ratio	screw	MM/S	MM/S	N	N	N	12V	12V	24V	24V	36V	36V	48V	48V
1:5	1.75	25	16	350	300	1200	0.8	3	0.4	1.5	0.3	1	0.2	0.75
	3.175	40	24	200	150	1000	0.8	3	0.4	1.5	0.3	1	0.2	0.75
	5	60	40	150	120	600	0.8	3	0.4	1.5	0.3	1	0.2	0.75
	6	80	50	100	80	400	0.8	3	0.4	1.5	0.3	1	0.2	0.75
	7.5	100	65	80	70	300	0.8	3	0.4	1.5	0.3	1	0.2	0.75
	9	120	80	60	50	200	0.8	3	0.4	1.5	0.3	1	0.2	0.75
1:20	12	160	100	50	40	100	1.2	3	0.5	1.5	0.3	1	0.2	0.75
	1.75	5	3.2	900	800	2300	0.8	3	0.4	1.5	0.3	1	0.2	0.75
	3.175	10	6.5	750	600	2000	0.8	3	0.4	1.5	0.3	1	0.2	0.75
	5	15	9	600	500	1200	0.8	3	0.4	1.5	0.3	1	0.2	0.75
	6	20	13	450	400	700	0.8	3	0.4	1.5	0.3	1	0.2	0.75
	7.5	25	17	350	300	500	0.8	3	0.4	1.5	0.3	1	0.2	0.75
1:40	9	30	21	300	250	400	0.8	3	0.4	1.5	0.3	1	0.2	0.75
	12	40	30	200	150	200	1.1	3	0.5	1.5	0.3	1	0.2	0.75
	1.75	3	2.2	1200	1000	2300	0.8	3	0.4	1.5	0.3	1	0.2	0.75
	3.175	5	3.5	900	800	2000	0.8	3	0.4	1.5	0.3	1	0.2	0.75
	5	8	5	800	750	1200	0.8	3	0.4	1.5	0.3	1	0.2	0.75
	6	10	6.6	750	600	700	0.8	3	0.4	1.5	0.3	1	0.2	0.75
	7.5	12	7	700	600	500	0.8	3	0.4	1.5	0.3	1	0.2	0.75
	9	15	9	600	500	400	0.8	3	0.4	1.5	0.3	1	0.2	0.75
	12	20	11	450	400	200	1	3	0.5	1.5	0.3	1	0.2	0.75

A

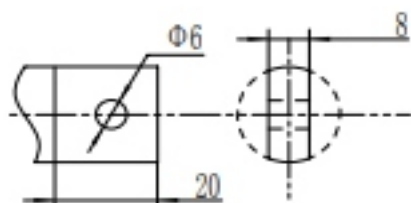
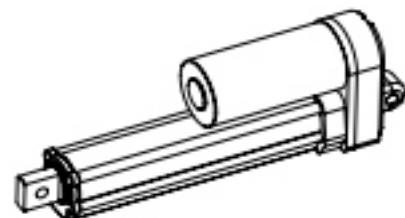


B

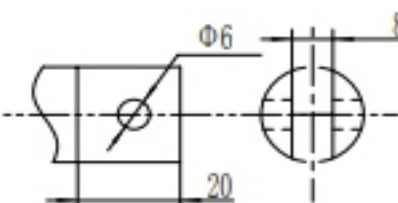
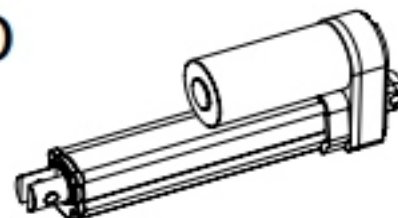


Note: zoom to check

C



D



Tips Installation size for A and B: stroke+105mm
Installaiton size for C and D: stroke+130mm