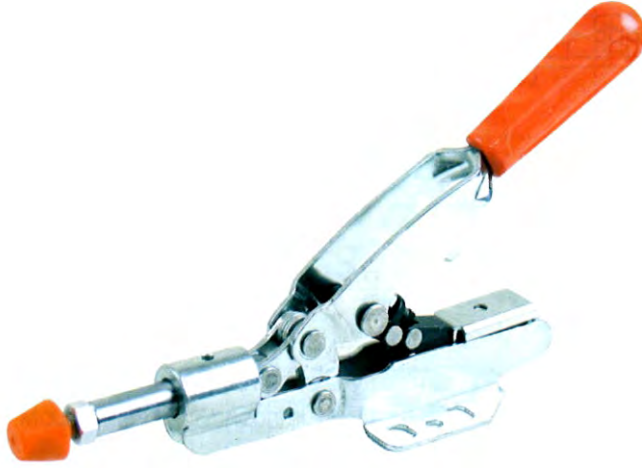


Automatic Adjusting Toggle Clamps

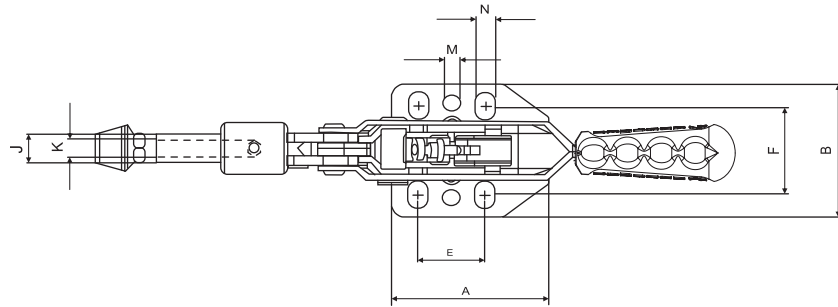
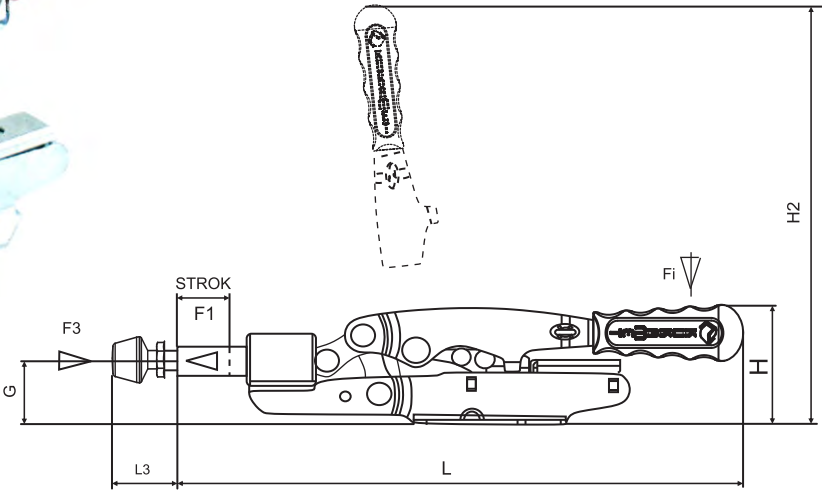
551

MODEL NO	F1 (N)	F3 (N)	Fi	STROK	(WEIGHT) (gr)
			VERİM (YIELD) (F1:Fi)		
551-3	2500	3200	14:1	23	530

F1 : BASKI KUVVETİ (EXERTING FORCE) , F3 : TUTMA KAPASİTESİ (HOLDING CAPACITY) , Fi : UYGULAMA KUVVETİ (APPLIED FORCE)



Body Mounting Base : Horizontal, Low Base



Features of product :

the automatic toggle clamp automatically adjusts to the distance of the particular work piece.

The infinitely variable jaw distance is up to 16 mm for the push pull toggle clamp while the clamping force remains unchanged.

Using the set screw on the cantilevered joint, the clamping force can be adjusted, your particular requirements

MODEL NO	A	B	E	F	G	H	H2	J	K	L	L 3min .	L3 max.	M	N
551-3	60	55.5	25.5	32,5-41	28	51	187	12	M8	231	24	58	Ø6	7x11,5

