

SOFT PVC BELLOWS

Soft PVC Bellows occupy a special position among the different types of bellows. ELASTIC Bellows (see Chapter ELASTIC Bellows) offer extremely flexible design options with regard to material, dimensions and shape and can nevertheless also be produced economically in very small quantities.



Soft PVC Bellows in standard colour black

Soft PVC Bellows on the other hand are moulded parts, i. e. a certain minimum quantity or corresponding tooling must be available to justify economic production. Correspondingly, cost reduction can be achieved with larger quantities which makes these parts particularly well suited for large series use.

Tooling is already available for many configurations, therefore attractive prices can be offered even for smaller quantities. The dimensions and shapes shown in the catalogue are available as standard forms. In addition we would be pleased to assist you in the design of special types.



Large variety of forms and colours

Order and request forms available at: www.hema-group.com



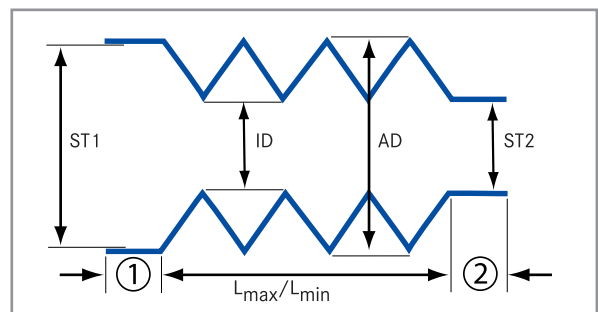
Split version

Material

We use a special PVC as standard material. The bellows are resistant to alkalis and acids; they are water and dust-proof. The standard colour of these bellows is black, but other colours as well as a version in transparent material are also possible.

Temperature

The operating temperature range is between -20°C and $+80^{\circ}\text{C}$. For a short time a maximum operating temperature up to $+120^{\circ}\text{C}$ is possible.



Legend

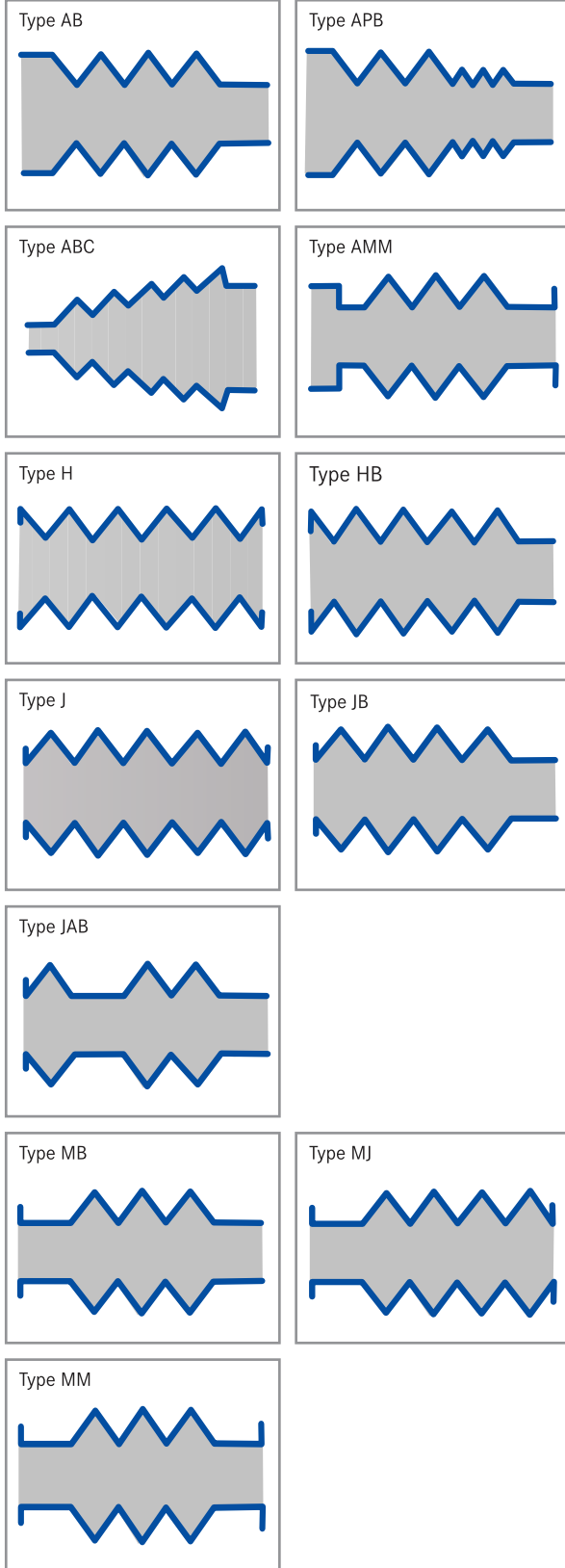
ID	Inside diameter
AD	Outer diameter
FAZ	Extension per fold
FZD	Compression per fold

Customer specification resp. incidental by parameter

L_{\min}	Compression of bellows
L_{\max}	Extension of bellows
①	Width of sleeve 1
②	Width of sleeve 2
FAZ	Extension per fold
FZD	Compression per fold



SOFT PVC BELLOWS



Type	ID	AD	FZD	FAZ
10	10	20	4	12
18	18	28	4	12
20	20	36	4.5	18
22	22	40	5	20
25-1	25	36	5	15
25-2	25	45	5.5	24
28-1	28	40	5.5	19
28-2	28	50	5.5	23
32-1	32	46	5	16
32-1	32	56	6.5	26
36-1	36	50	5	17
36-1	36	63	7	28
40-1	40	56	6	21
40-1	40	71	7.5	34
45-1	45	63	6.5	22
45-2	45	80	7	34
50-1	50	71	6	23
50-2	50	89	8	39
56-1	56	80	6.5	27
56-2	56	89	7.5	36
56-3	56	100	8.5	45
63-1	63	89	6.5	26
63-2	63	100	7.5	36
63-3	63	110	7.5	40
63-4	63	125	7.5	48
71	71	100	7	30
75-1	75	100	7	28
75-2	75	110	7	32
75-3	75	125	7.5	42
75-4	75	140	7.5	55
75-5	75	150	7.5	58
80-1	80	100	7	24
80-2	80	110	7.5	32
80-3	80	125	7.5	44
80-4	80	140	7.5	53
80-5	80	150	8	58
80-6	80	160	8	65
89-1	89	110	7.5	24
89-2	89	125	8	36

All dimensions in mm if not marked otherwise. Errors and omissions excepted.



تلفن : (021) 33913364 - 33951660

فکس : (021) 33985603

SOFT PVC BELLOWS

Type	ID	AD	FZD	FAZ
89-3	89	140	8	46
89-4	89	150	8	55
89-5	89	160	8	60
89-6	89	170	8.5	65
100-1	100	128	7.5	29
100-2	100	140	8	40
100-3	100	150	8	46
100-4	100	160	8	55
100-5	100	170	8.5	60
100-6	100	180	9	65
110-1	110	130	7.5	24
110-2	110	140	7.5	30
110-3	110	150	8	40
110-4	110	160	8	47
110-5	110	170	8	56
110-6	110	180	8.5	60
110-7	110	190	9	65
110-8	110	200	9	70
120-1	120	140	7.5	24
120-2	120	150	8	30
120-3	120	160	8	40
120-4	120	170	8	47
120-5	120	180	8.5	55
120-6	120	190	9	60
120-7	120	200	9	65
125-1	125	150	7.5	28
125-2	125	160	8	38
125-3	125	170	8.5	42
125-4	125	180	8.5	52
125-5	125	190	8.5	57
125-6	125	200	8.5	62
125-7	125	210	9	68
140-1	140	160	7.5	24
140-2	140	170	8	30
140-3	140	180	8.5	40
140-4	140	190	9	47
140-5	140	200	10	56
140-6	140	210	10	60
140-7	140	220	10	65

Type	ID	AD	FZD	FAZ
150-1	150	170	8	24
150-2	150	180	8.5	30
150-3	150	190	9	40
150-4	150	200	9	47
150-5	150	210	10	56
150-6	150	220	10	60
150-7	150	230	10	65
150-8	150	240	10	70
160-1	160	190	8.5	30
160-2	160	200	9	40
160-3	160	210	10	47
160-4	160	220	10	56
160-5	160	230	10	60
160-6	160	240	10	65
160-7	160	250	10	70
170-1	170	200	9	30
170-2	170	210	10	40
170-3	170	220	10	47
170-4	170	230	10	56
170-5	170	240	10	60
170-6	170	250	10	65
170-7	170	260	10	70
180-1	180	210	9	30
180-2	180	220	10	40
180-3	180	230	10	47
180-4	180	240	10	56
180-5	180	250	10	60
180-6	180	260	10	65
190-1	190	220	9	30
190-2	190	230	10	40
190-3	190	240	10	47
190-4	190	250	10	60
190-5	190	260	10	70
190-6	190	280	10	75
200-1	200	230	9	30
200-2	200	240	10	40
200-3	200	250	10	47
200-4	200	260	10	57
200-5	200	280	10	70

Order and request forms available at: www.hema-group.com



SOFT PVC BELLOW

Type	ID	AD	FZD	FAZ
210-1	210	240	10	30
210-2	210	250	10	40
210-3	210	260	10	47
210-4	210	280	10	65
210-5	210	300	10	75
220-1	220	250	10	30
220-2	220	260	10	40
220-3	220	280	10	57
220-4	220	300	10	70
220-5	220	320	10	80
230-1	230	260	10	30
230-2	230	280	10	48
230-3	230	300	10	65
230-4	230	320	10	75
240-1	240	280	10	40
240-2	240	300	10	58
240-3	240	320	10	70
240-4	240	360	10	90
250-1	250	280	10	30
250-2	250	300	10	45
250-3	250	320	10	60
250-4	250	360	11	85
280-1	280	320	10	40
280-2	280	360	10	72
280-3	280	400	11	90
300-1	300	360	10	60
300-2	300	400	10	80
320-1	320	360	10	40
320-2	320	400	10	72
320-3	320	450	11	100
360-1	360	400	10	40
360-2	360	450	10	80
360-3	360	510	11	110
400-1	400	450	10	50
400-2	400	510	10	85
400-3	400	530	11	100
450-1	450	490	10	40
450-2	450	510	10	55
450-3	450	530	11	75

Type	ID	AD	FZD	FAZ
450-4	450	560	12	85
510	510	650	12	105
560	560	650	12	75
650	650	770	12	90



Soft PVC bellows in circular and rectangular form

All dimensions in mm if not marked otherwise. Errors and omissions excepted.

