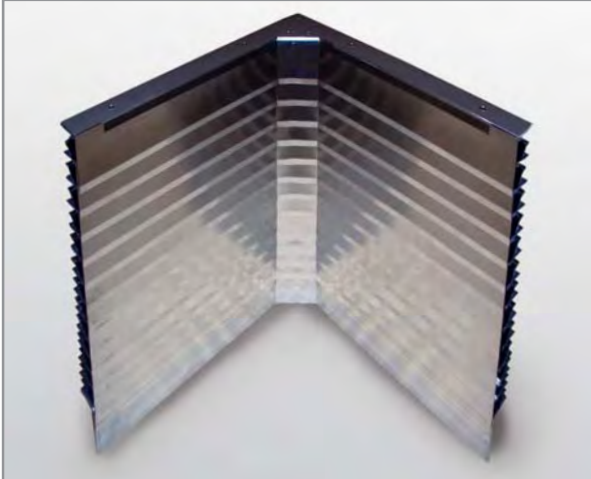


SAMURAI BELLOWS

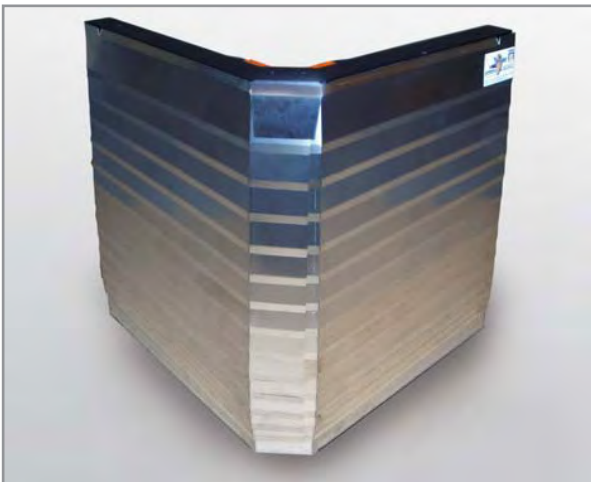
VECTOR C² type

The FASTAF type VECTOR C² is a special type for machining centres where continuous covering of the working space (e.g. rear wall, upper roof area) is required.



SAMURAI Vector C², interior angle

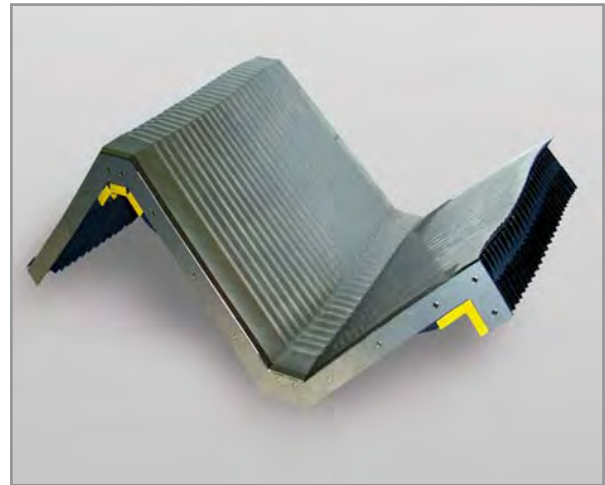
With its unique design of fixed mounted lamellas only one bellow unit is needed to cover the corner areas. The space allocated to the covering can be used very efficiently, and machining dust is significantly reduced. For swarf protection the VECTOR C² type is equipped with two overlapping, bended metal sheets mounted securely on each fold.



SAMURAI Vector C², exterior angle

The VECTOR C² corner lamella is available as a bended or rounded version providing both a stable structure and reliable functionality. Even at high operating speeds and accelerations this stable and reliable concept responds flexibly to all interior and exterior angles and combinations of angles.

Order and request forms available at: www.hema-group.com



SAMURAI Vector C², combination of interior and exterior angle

The lamellas for this type of SAMURAI Bellows are available in four shapes:

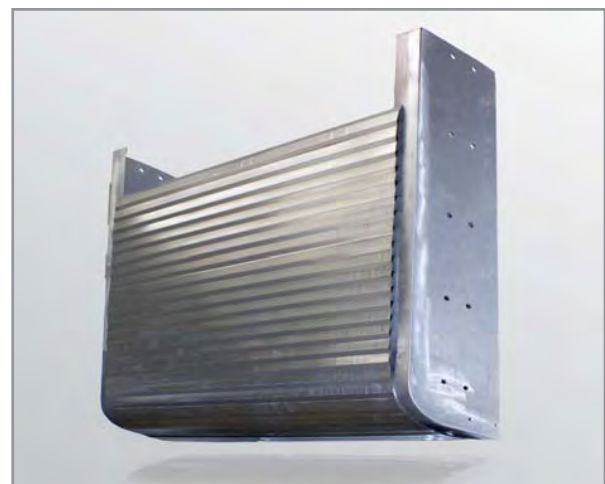
- Outside
- Inside
- Inside round
- Inside Outside

SAMURAI FASTAF TW for limited space

The SAMURAI FASTAF TW has been developed as an alternative to the classic design of protective covers.

This lamella cover »bends around the corner« and is therefore perfectly suited to machines with limited space below the cover.

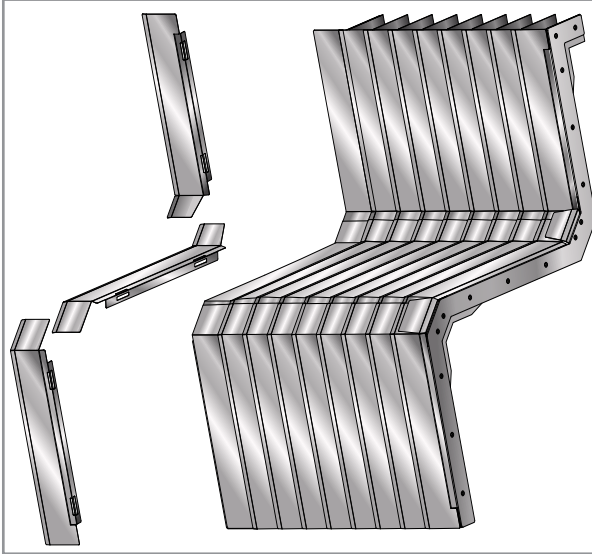
The compressed cover is turned through 90° allowing more design opportunities. The preload of the lamella's in the area of the radius is maintained through innovative design.



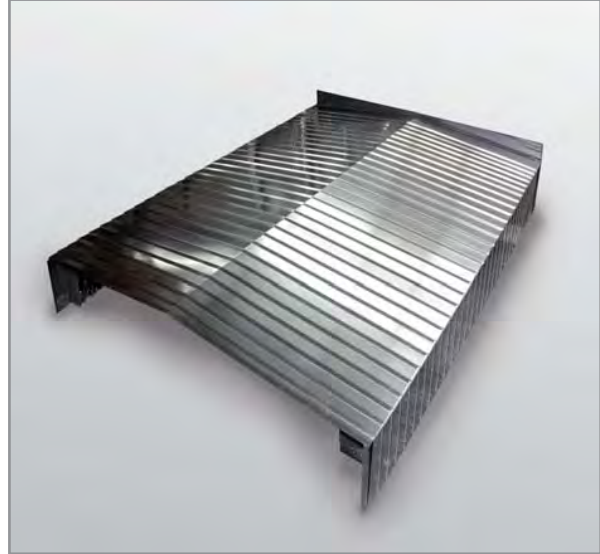
SAMURAI FASTAF TW



SAMURAI BELLOWS



VECTOR C² Inside Outside



SAMURAI FASTAC, special solution

Legend

FB	Width of fold
FZD	Compression per fold
FAZ	Extension per fold
X	Horizontal space required for the lamellas
Y	Vertical space required for the lamellas

FB	FAZ	FZD	X	Y
17.5	20	5	20	50
20	25	5	20	55
25	35	5	25	65
30	45	5	25	75
35	50	5	30	80
40	60	5	35	90
45	70	5	35 - 40	100
50	75	5	45 - 50	105

Vector C²



SAMURAI FASTAF TW for limited space



View into operating machining centre. Result: SAMURAI FASTAF proves reliable even with large chip volumes.

All dimensions in mm if not marked otherwise. Errors and omissions excepted.



تلفن : (021) 33913364 - 33951660

فکس : (021) 33985603