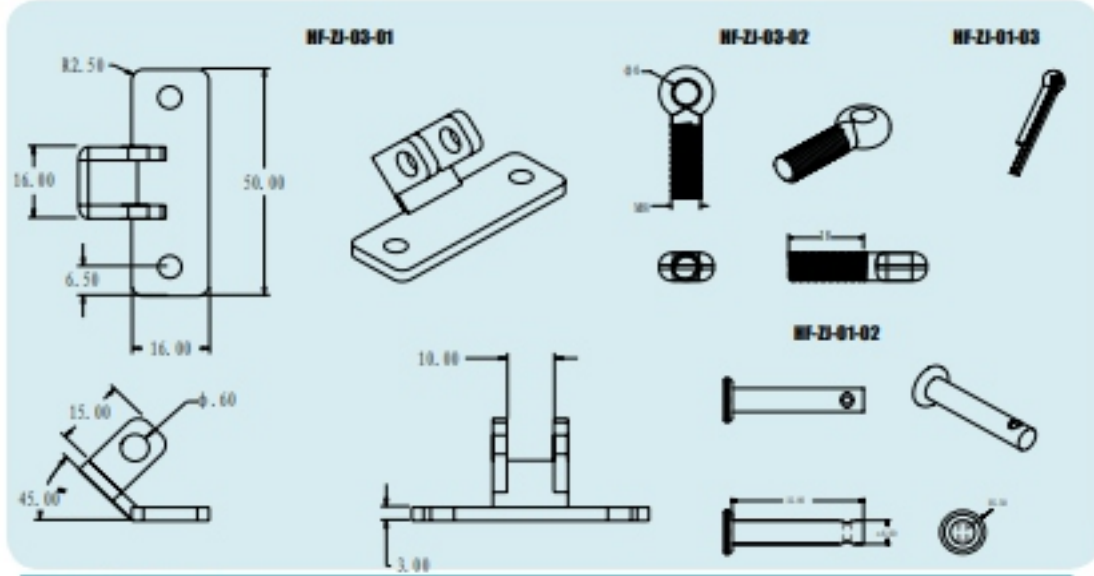


## HF-ZJ-03

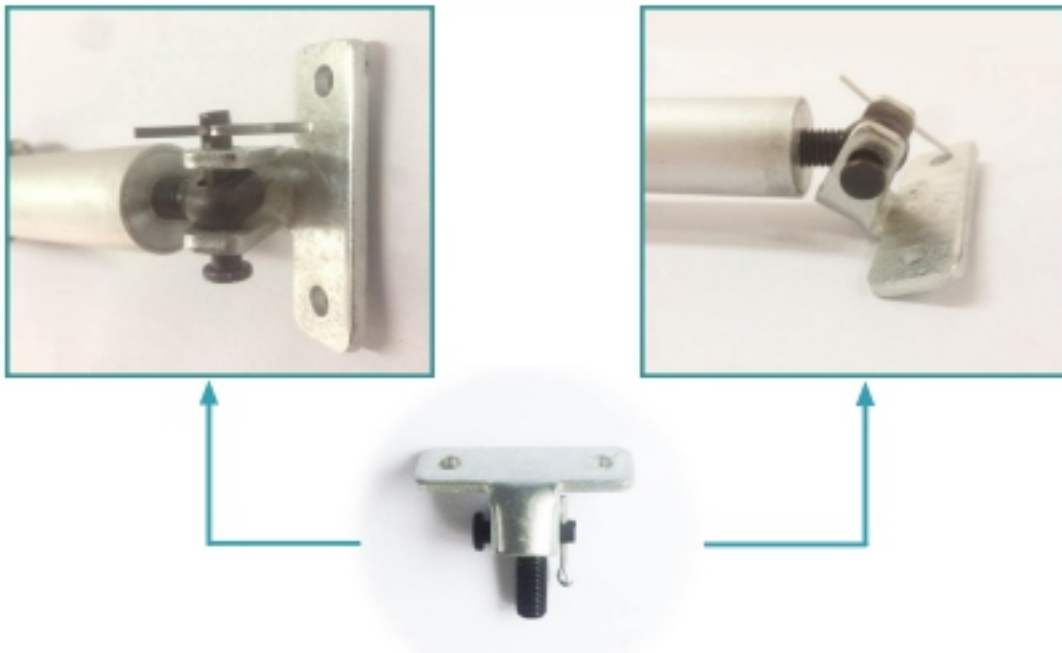
### Introduction

A3 material, Zinc coated, 3MM thick, equipped with M6 thread pin and  $\phi 6$ MM screw and open pin. This bracket simplify actuator's mounting way by changing the hole mounting into surface mounting together with M6 inner screw in pushrod head position (special illustration needed)

### Production introduction



### mounting way



### order illustration

customers could directly order this bracket through modle NO.HF-ZJ-03,if wanting to mount it on electric linear actuator,should M6 inner thread hole be made on pushrod.this should be clear because it is special accessories for electric linear actuator.one bracket contains one HF-ZJ-03-01,one HF-ZJ-03-02, one HF-ZJ-01-02 and HF-ZJ-01-03.

