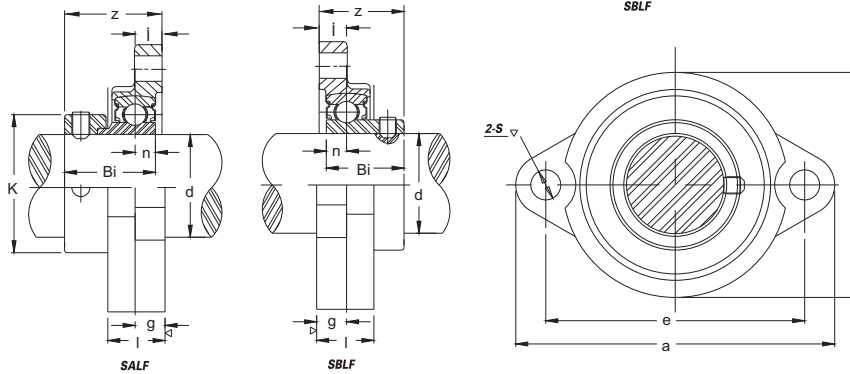


SALF 2

SBLF 2

Flange Units (light-duty)



unit No.	Shaft Dia	Dimensions (mm)								Bolt Used (in.)	SALF					SBLF			Housing No.	
	d	a	e	l	g	l	s	b	n		z	Bi	K	Bearing No.	Weight kg.	z	Bi	Bearing No.		Weight kg.
	(mm)																			
SALF 201 SBLF 201-8	12	81	63.5	9.5	9.5	18.0	8	52	6.0	¼	32.0	28.5	28.6	SA 201 201-8	0.28	25.5	22	SB 201 201-8	0.25	LF 203
SALF 202 SBLF 202-10	15	81	63.5	9.5	9.5	18.0	8	52	6.0	¼	32.0	28.5	28.6	SA 202 202-10	0.28	25.5	22	SB 202 202-10	0.25	LF 203
SALF 203 SBLF 203	17	81	63.5	9.5	9.5	18.0	8	52	6.0	¼	32.0	28.5	28.6	SA 203	0.28	25.5	22	SB 203	0.25	LF 203
SALF 204-12 SBLF 204	20	90	71.5	11	11	20.0	10	61	7.0	⅝	33.5	29.5	33.3	SA 204-12 204	0.33	29.0	25	SB 204-12 204	0.33	LF 204
SALF 205-14 SBLF 205-16	25	95	76.0	11	11	20.0	10	64	7.5	⅝	34.0	30.5	38.1	SA 205-14 205 205-16	0.42	30.5	27	SB 205-14 205 205-16	0.38	LF 205
SALF 206-18 SBLF 206-19 206-20	30	113	90.5	12	12	22.5	12	76	8.0	⅞	37.9	33.9	44.5	SA 206-18 206 206-19 206-20	0.60	34.0	30	SB 206-18 206 206-19 206-20	0.57	LF 206
SALF 207-20 SBLF 207-22 207 207-23	35	122	100.0	13	13	24.0	12	89	8.5	⅞	41.0	36.5	55.6	SA 207-20 207-22 207 207-23	0.85	36.5	32	SB 207-20 207-22 207 207-23	0.77	LF 207

