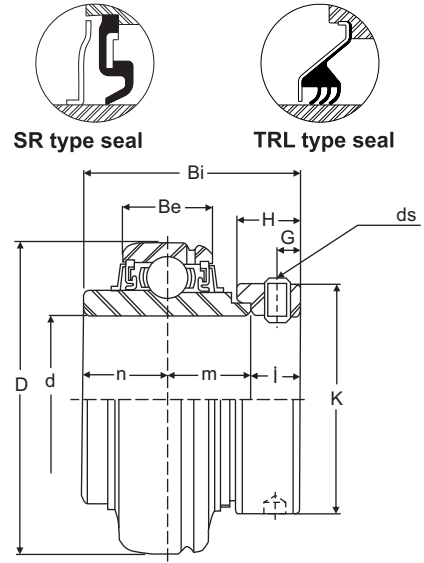


HC 2

Ball Bearings (with eccentric locking collar) (normal-duty)



Bearing No.	Bore Dia of Bearing	Dimensions (mm)										Basic Load Rating kg.	Basic Static Load Rating kg.	Weight kg.
	d (mm)	D	Bi	Be	n	m	l	K	H	G	ds			
HC 201 201-8	12	47	43.5	16	17.0	17.0	9.5	33.3	13.5	5.0	M6x1	1280	750	0.29 0.29
HC 202 202-10	15	47	43.5	16	17.0	17.0	9.5	33.3	13.5	5.0	M6x1	1280	750	0.27 0.26
HC 203	17	47	43.5	16	17.0	17.0	9.5	33.3	13.5	5.0	M6x1	1280	750	0.25
HC 204-12 204	20	47	43.5	16	17.0	17.0	9.5	33.3	13.5	5.0	M6x1	1280	750	0.23 0.22
HC 205-14 205-15 205 205-16	25	52	44.3	17	17.4	17.4	9.5	38.1	13.5	5.0	M6x1	1400	790	0.29 0.27 0.25 0.25
HC 206-18 206 206-19 206-20	30	62	48.3	19	18.2	18.2	11.9	44.5	15.9	6.0	M6x1	1950	1130	0.43 0.41 0.41 0.38
HC 207-20 207-22 207 207-23	35	72	51.1	20	18.8	18.8	13.5	55.6	17.5	7.0	M8x1	2570	1540	0.61 0.61 0.58
HC 208-24 208	40	80	56.3	21	21.4	21.4	13.5	60.3	18.3	7.0	M8x1	2910	1790	0.83 0.79 0.78
HC 209-26 209-27 209-28 209	45	85	56.3	22	21.4	21.4	13.5	63.5	18.3	7.0	M8x1	3270	2040	0.96 0.91 0.87 0.85
HC 210-31 210	50	90	62.7	23	24.6	24.6	13.5	69.9	18.3	7.0	M10x1.25	3510	2320	1.04 1.01
HC 211-32 211 211-35	55	100	71.4	25	27.7	27.7	16.0	76.2	20.8	8.0	M10x1.25	4330	2940	1.58 1.39 1.36
HC 212-36 212 212-39	60	110	77.8	26	30.9	30.9	16.0	84.2	22.2	8.0	M10x1.25	5240	3610	2.03 1.87 1.76
HC 213-40	2½	120	85.7	28	34.1	34.1	17.5	86	23.5	8.5	M10x1.25	5720	4000	2.51
HC 215-47	2½⅝	130	92.1	30	37.3	37.3	17.5	102	23.8	8.5	M12x1.5	6740	4820	2.74

