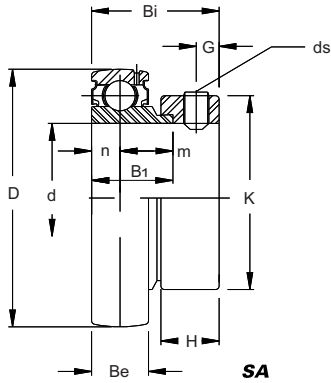
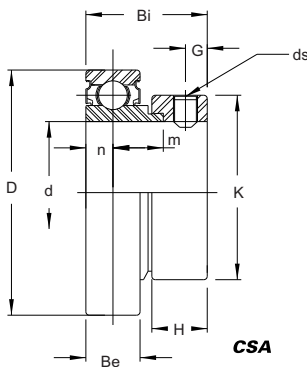


SA 2 Ball Bearings (light-duty) (Spherical O.D.)



Bearing No.	Bore Dia of Bearing	Dimensions (mm)										Basic Load Rating kg.	Basic Static Load Rating kg.	Weight kg.
	d (mm)	Be	D	B1	n	m	Bi	K	H	G	ds			
SA 201 201-8	12	12	40	19.1	6.0	13.0	28.6	28.6	13.5	5.0	M6x1	960	480	0.13
SA 202 202-10	15	12	40	19.1	6.0	13.0	28.6	28.6	13.5	5.0	M6x1	960	480	0.13
SA 203	17	12	40	19.1	6.0	13.0	28.6	28.6	13.5	5.0	M6x1	960	480	0.13
SA 204-12 204	20	14	47	21.5	7.0	13.0	31.0	33.3	13.5	5.0	M6x1	1280	750	0.15
SA 205-14 205 205-16	25	15	52	21.5	7.5	13.5	31.0	38.1	13.5	5.0	M6x1	1400	790	0.22
SA 206-18 206 206-19 206-20	30	16	62	23.8	8.0	14.0	35.7	44.5	15.9	6.0	M8x1	1950	1130	0.3
SA 207-20 207-22 207 207-23	35	17	72	25.4	8.5	14.5	38.9	55.6	17.5	7.0	M8x1	2570	1540	0.50
SA 208-24 208	40	18	80	30.2	9.0	18.0	43.7	60.4	18.3	7.0	M8x1	2910	1790	0.67

CSA 2 (light-duty) (Cylindrical O.D.)

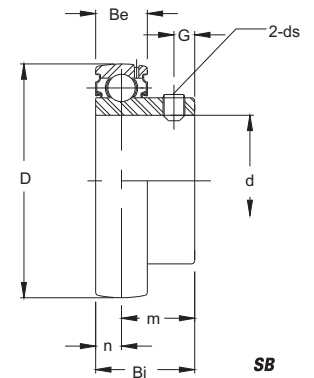


**SA
CSA**



**SB
CSB**

SB 2 (light-duty) (Spherical O.D.)



Bearing No.	Bore Dia of Bearing	Dimensions (mm)							Basic Load Rating kg.	Basic Static Load Rating kg.	Weight kg.
	d (mm)	Be	D	Bi	n	m	G	ds			
SB 201 201-8	12	12	40	22	6.0	16.0	4.5	M5x0.8	960	480	0.10
SB 202 202-10	15	12	40	22	6.0	16.0	4.5	M5x0.8	960	480	0.10
SB 203	17	12	40	22	6.0	16.0	4.5	M5x0.8	960	480	0.10
SB 204-12 204	20	14	47	25	7.0	18.0	5.0	M6x1.0	1280	750	0.15
SB 205-14 205 205-16	25	15	52	27	7.5	19.5	5.0	M6x1.0	1400	790	0.18
SB 206-18 206 206-19	30	16	62	30	8.0	22.0	5.5	M6x1.0	1950	1130	0.27
SB 207-20 207-22 207 207-23	35	17	72	32	8.5	28.5	6.5	M8x1.0	2570	1540	0.42
SB 208-24 208	40	18	80	34	9.0	29.0	7.0	M8x1.0	2910	1790	0.60

CSB 2 (light-duty) (Cylindrical O.D.)

