

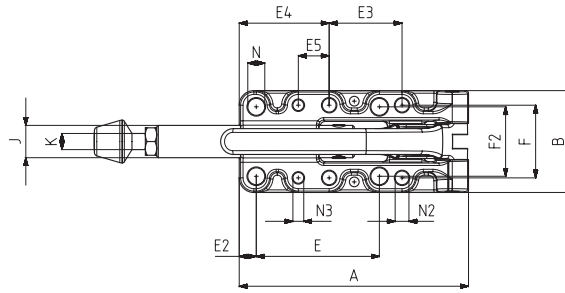
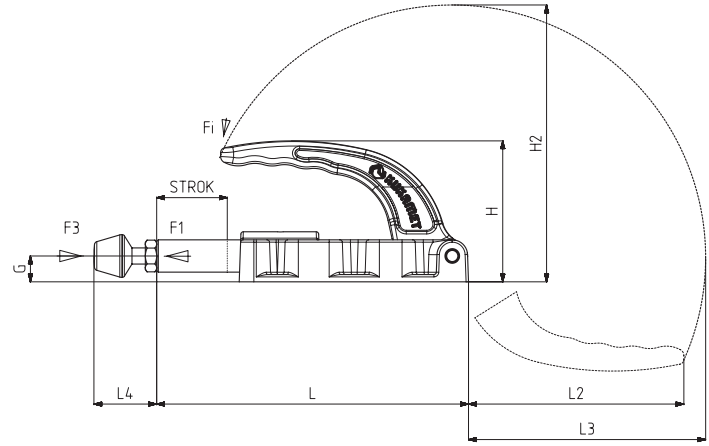
Straight Line Push-Pull Type Toggle Clamps

533

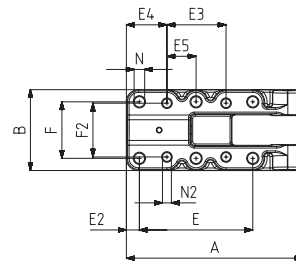


MODEL NO	F1 (N)	F3 (N)	Fi	BASKI VİDASI (SQUEEZE SCREW)	STROK	(WEIGHT) (gr)
			VERİM (YIELD) (F1:Fi)			
533 - 4 (Ø 14)	7000	7000	16:1	M8 x 50	38	840
533 - 5 (Ø 20)	12000	12000	30:1	M10 x 70	50	1610

F1 : BASKI KUUVETİ (EXERTING FORCE), F3 : TUTMA KAPASİTESİ (HOLDING CAPACITY), Fi : UYGULAMA KUUVETİ (APPLIED FORCE)



MODEL NO : 533-5



MODEL NO : 533-4

Body Mounting Base Horizontal, Casting

Product Features;

The products are strong and suited for heavy duty applications.

The body and arm are made of strong GGG-60 casting and phosphate coated for corrosion resistance

The rod is made of hard chrome plated steel for high wear and corrosion resistance and the mechanism parts are made of phosphate coated steel for corrosion resistance.

MODEL NO	A	B	C	D	E	E2	E3	E4	E5	F	F2	G	H	H2	J	K	L	L2	L3	L4 Min	L4 Max	N	N2	N3
533 - 4 (Ø 14)	109	50			70	8	36,5	25	18	35	33,5	12	73	133	14	M8	148	98	112	23	58	Ø 6,5	Ø 5,5	
533 - 5 (Ø 20)	142	63			76	10,5	45	55,5	19	45	43	16	87	173	20	M10	192,5	133	147	29	79	Ø 10,5	Ø 8,5	Ø 6,7



تلفن : (021) 33913364 - 33951660

فکس : (021) 33985603