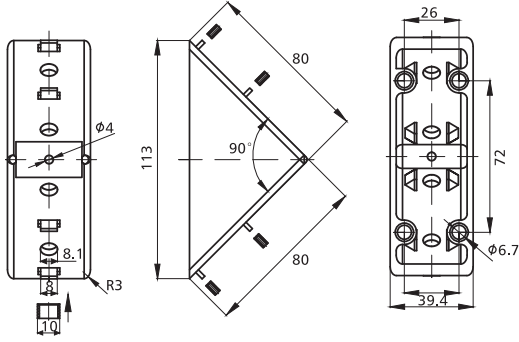


Alu Profile Accessories/Connectors/Angle Connectors & Caps



Slot	Item No.	Material	Finish	PCS/CTN	KGS/CTN	CTN SIZE (mm)
8+10	8080DCA	Die-cast Alu.	Alu Color	40	4.60	225*170*180
8+10	8080DCZ	Die-cast Zinc	Alu Color	40	10.90	225*170*180

