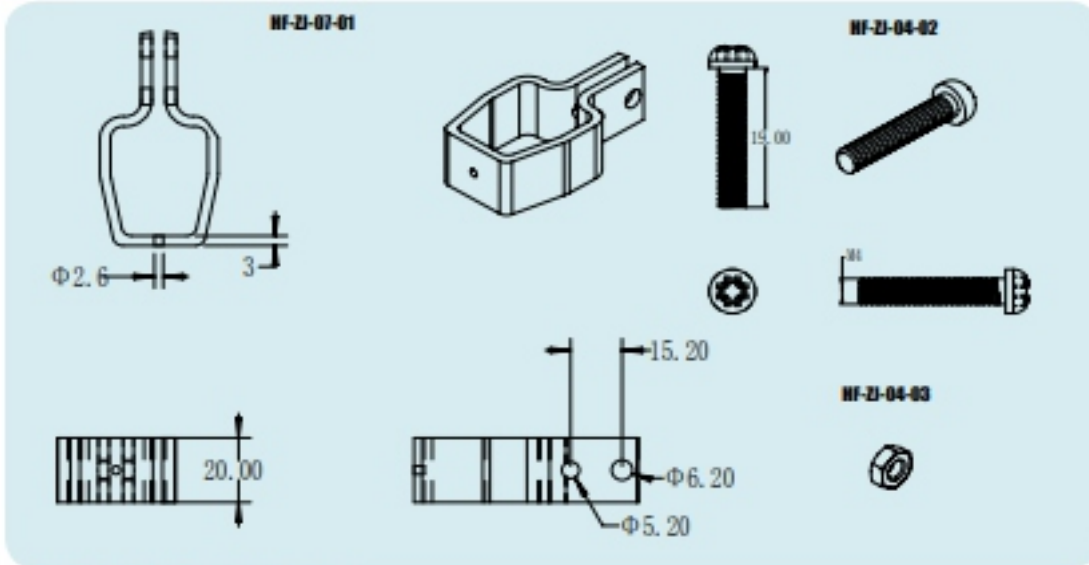


## HF-ZJ-07

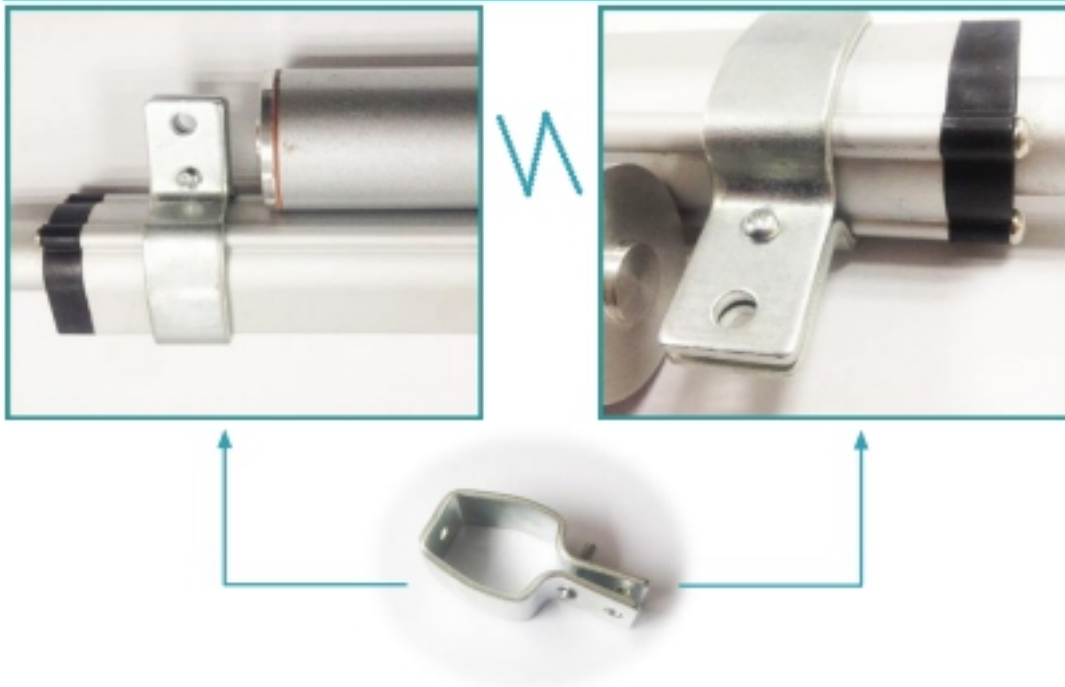
### Product introduction

A3 material, stamping article, zin coated, 3MM thick, could bearing 1000N side force, equipped with  $\phi 4$ MM long screw and nut. This bracket could meet the requirement of mounting in special conditions. It is suited for TGA-A, TGA-A-DW series.

### Product drawing



### Product and mounting way



### Order illustration

Customers could directly order this bracket through its Modle NO.HF-ZJ-07. Should stroke be greater than 50mm in case of influence from motor positon if need to install it on electric linear actuator. This bracket is not default accessories please note if order. One set bracket contains one HF-ZJ-07-01 one HF-ZJ-04-02 and one HF-ZJ-04-03.

