

Model	Matching Drivers
35HS01	M422
39HS02	M422
42HS03	M422
57HS09	M542
57HS13	M542
57HS22	M542
86HS35	MA860H/M880A/M542
86HS45	MA860H/M880A
86HS65	MA860H/M880A
86HS85	MA860H/M880A
86HS120	MA860H/M880A
110HS12	DM1182/DM2282
110HS20	DM1182/DM2282
110HS28	DM1182/DM2282
130HS27	DM1182/DM2282
130HS33	DM1182/DM2282
130HS40	DM1182/DM2282
130HS45	DM1182/DM2282
573S09	3DM580/3DM683
573S15	3DM580/3DM683
863S22	3DM683/3DM580
863S42	3DM683/3DM580
863S68H	3DM683/3DM580



86HS Series Hybrid Stepping Motors

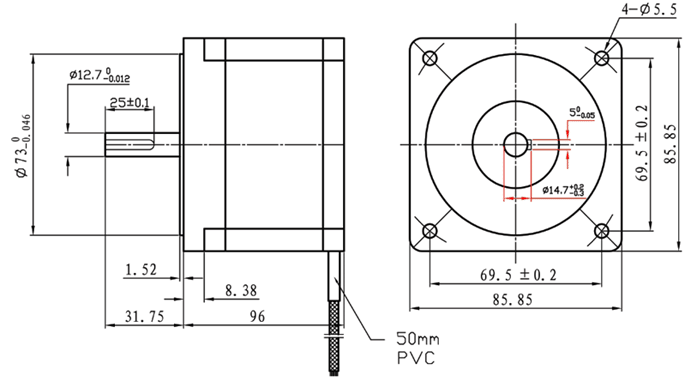
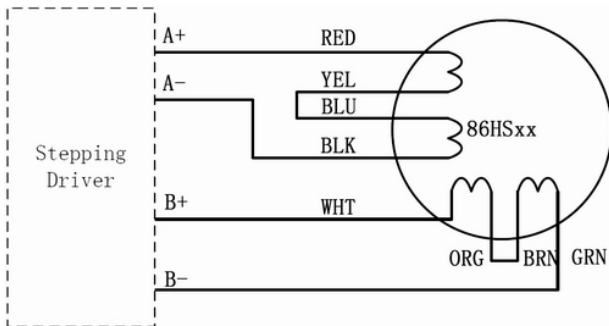


General Specifications

Step Angle Degree	1.8°
Step Angle Accuracy	±5%(full step no load)
Temperature Rise	80°CMax
Ambient Temperature	-10°C — +50°C
Insulation Resistance	100MΩmin.500VDC
Dielectric Strength	500VAC for one minute
Shaft Radial Play	0.06 Max.(450g-load)
Shaft Axial Play	0.08 max.(450g-load)

Electrical Specifications

Model Number	Connection	Motor Length L inch (mm)	Holding Torque Oz-in (Nm)	Number of Leads	Phase Current (Amps)	Phase Resistance (Ohm)	Phase Inductance (mH)	Rotor Inertia Oz-in-sec ² (g.cm ²)	Weight Oz (kg)
86HS65	Bipolar (Parallel)	3.78 (96)	991.2 (7.0)	8	6.1	0.355±10%	3.3±20%	0.01988 (1400)	81.1 (2.3)
	Bipolar (Series)		991.2 (7.0)		3.05	1.4±10%	13.2±20%		
	Unipolar		693.8 (4.9)		4.3	0.7±10%	3.3±20%		



Stepper Motor: 86HS65; Microstep: 8 (1600 steps/rev.)

