

411

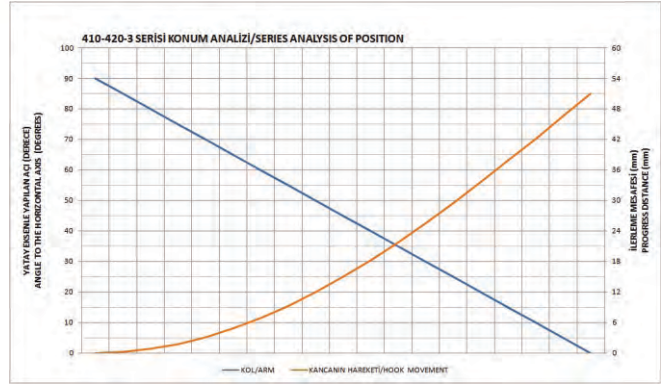


Latch Toggle Clamps With C Hook

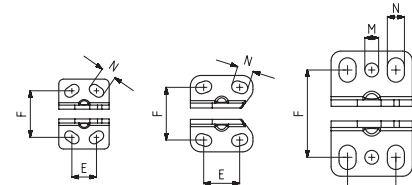
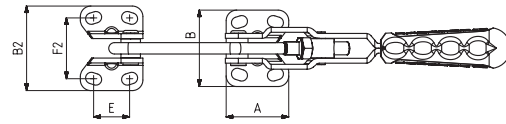
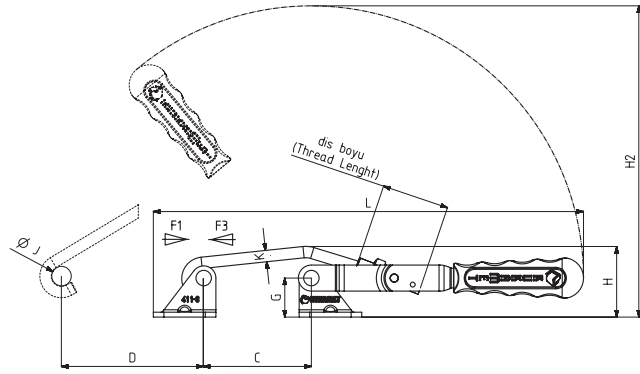
MODEL NO	(STAINLESS)	(BLACK)	F1 (N)	F3 (N)	STROK (DIŞ BOYU) (STROKE) (thread length)	(WEIGHT) (gr)
411-2	S 411 -	B 411 -	1500	1800	35	210
411-3	S 411 -	B 411 -	2000	2500	41	325
411-4	S 411 -	B 411 -	3500	4000	55	860

F1 : BASKI KUVVETİ (EXERTING FORCE), F3 : TUTMA KAPASİTESİ (HOLDING CAPACITY)

Paslanmaz C Kancalı ürünlerin çekme kuvvetleri %30 daha azdır. (Stainless steel latch clamp's tensile strength are %30 more less)



Body Mounting Base Horizontal



MODEL NO : 411-2 MODEL NO : 411-3 MODEL NO : 411-4

MODEL NO	A	B	B2	C min.	C max.	D	E	F	F2	G	H	H2	J	K	L min.	L max.	M	N
411-2	31	43	47	45	60	50	12 - 18	26,5 - 30,5	30,5 - 34,5	26	38	155	9	M6	200	215		6x9,5
411-3	38,5	47	52	60	75	80	19 - 25	31,5 - 33	36,5 - 38	24	42	190	12	M 8	255	270		7x10
411-4	50	77	84	75	100	130	30	49 - 58	56 - 65	40	61	253	16	M10	335	360	Ø 8,5	10,5x15



تلفن : (021) 33913364 - 33951660

فکس : (021) 33985603