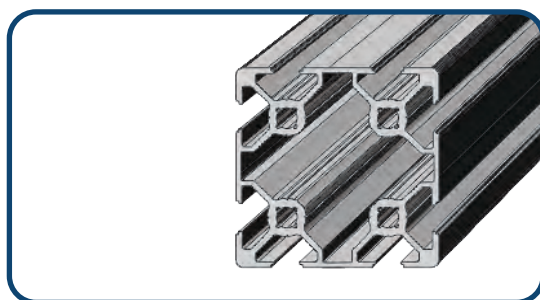
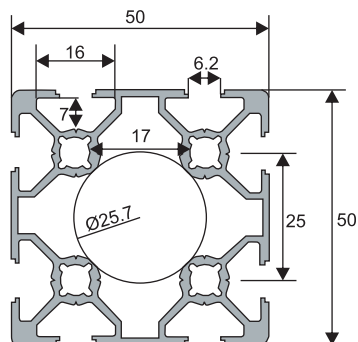


OBC-50*50 L8 سبک هشت شیاره



Part No.	Wy cm ³	Wx cm ³	Ly cm ⁴	Lx cm ⁴	L mm	coating	Material	Area cm ²	Weight kg/m
OBC-50*50 L8	-	-	-	-	6000	Anodizad	AL-6063	-	1.100

L(Standard) : 6050 mm



