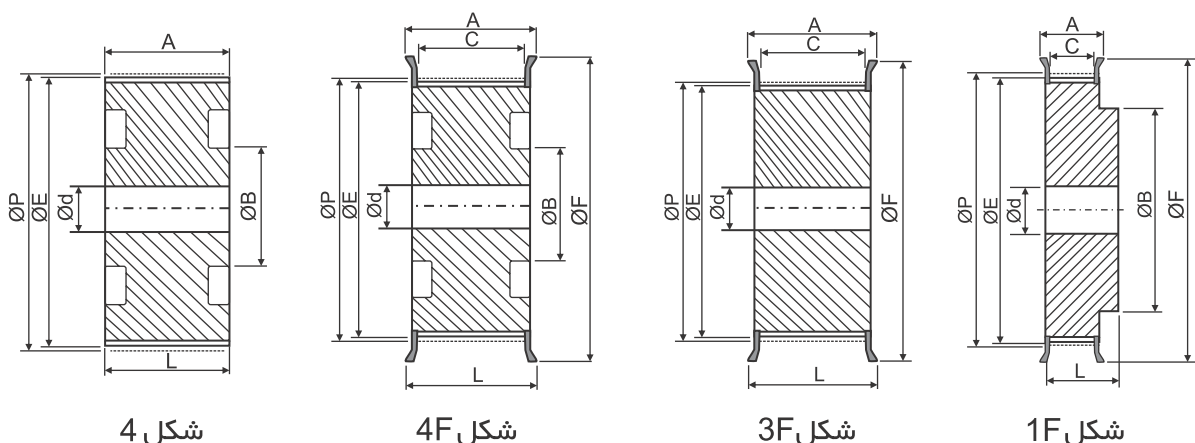
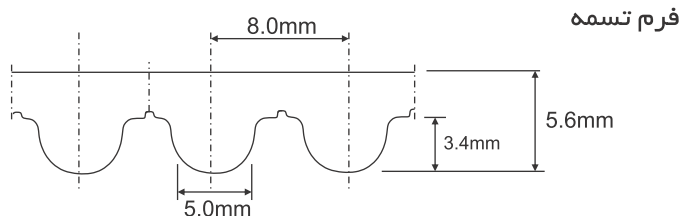


## 8M-85 Series



8M با گام ۸ میلیمتر برای تسمه با پهنای ۸۵ میلیمتر

Unit : mm

Part No.	Teeth No.	Fig.	ØP	ØE	ØF	A	C	L	ØB	Ød	Flange	Material
22-8M-85	22	F	56.02	54.65	63.0	95	91	105	40	12	With Flanges	Aluminium
24-8M-85	24	F	61.12	59.75	69.5	95	91	105	45	12		
26-8M-85	26	F	66.21	64.84	74.5	95	91	105	50	12		
28-8M-85	28	F	71.30	69.93	79.5	95	91	105	50	14		
30-8M-85	30	F	76.39	75.02	86.0	95	91	105	55	14		
32-8M-85	32	F	81.49	80.12	90.5	95	91	105	60	14		
34-8M-85	34	F	86.58	85.21	95.5	95	91	105	60	14		
36-8M-85	36	F	91.67	90.30	98.5	95	91	105	65	14		
38-8M-85	38	F	96.77	95.40	103.5	95	91	105	70	14		
40-8M-85	40	F	101.86	100.49	105.0	95	91	105	75	16		
44-8M-85	44	F	112.04	110.67	119.0	95	91	105	85	16		
48-8M-85	48	F	122.23	120.86	127.0	95	91	105	90	16		
56-8M-85	56	1F	142.60	141.23	151.0	95	91	95	-	18		
64-8M-85	64	1F	162.97	161.60	169.0	95	90	95	-	18		
72-8M-85	72	1F	183.35	181.98	197.0	95	90	95	110	18		
80-8M-85	80	2F	203.72	202.35	-	95	-	95	110	18		
90-8M-85	90	3F	229.18	227.81	-	95	-	95	110	18		
112-8M-85	112	3F	285.20	283.83	-	95	-	95	110	24		
114-8M-85	144	3F	366.69	365.32	-	95	-	95	120	24		
168-8M-85	168	3F	427.81	426.44	-	95	-	95	130	24		
192-8M-85	192	3F	488.92	487.55	-	95	-	95	130	24		

فروشنده حق تغییرات مشخصات فنی و ابعاد را بدون اطلاع قبلی دارد

