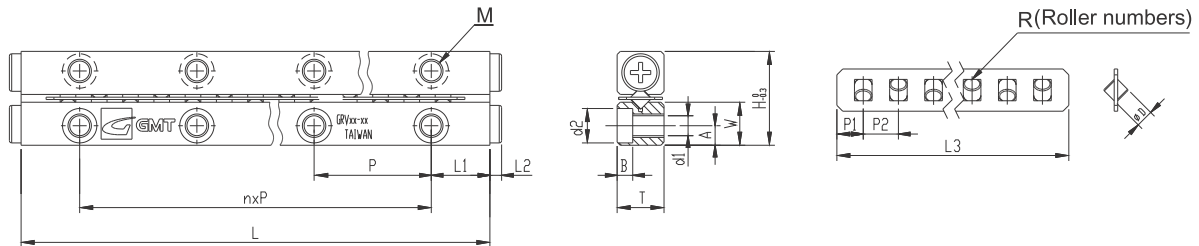


## Linear Motion Component ► Guides & Bearings ► Silde Rail Set

### GRV / GRV - S



Model No.		Max. Stroke (mm)	Main Dimensions (mm)							Retainer Dimensions (mm)				
Standard	Antirust		H	T	W	L	n*p	L1	L2	ØD	L3	R	P1	P2
GRV00-20	GRV00-20-S	17	6.2	3	2.9	20	1*10	5	0.7	Ø1	12.4	6	1.3	2
GRV00-30	GRV00-30-S	21				30	2*10				16.4	8		
GRV00-40	GRV00-40-S	25				40	3*10				20.4	10		
GRV00-50	GRV00-50-S	29				50	4*10				24.4	12		
GRV00-60	GRV00-60-S	33				60	5*10				28.4	14		
GRV00-70	GRV00-70-S	37				70	6*10				32.4	16		
GRV00-80	GRV00-80-S	41				80	7*10				36.4	18		
GRV01-20	GRV01-20-S	13	8.5	4	3.9	20	1*10	5	1.3	Ø1.5	15.8	5	1.9	3
GRV01-30	GRV01-30-S	21				30	2*10				21.8	7		
GRV01-40	GRV01-40-S	29				40	3*10				27.8	9		
GRV01-50	GRV01-50-S	37				50	4*10				33.8	11		
GRV01-60	GRV01-60-S	45				60	5*10				39.8	13		
GRV01-70	GRV01-70-S	53				70	6*10				45.8	15		
GRV01-80	GRV01-80-S	61				80	7*10				51.8	17		
GRV02-30	GRV02-30-S	24	12	6	5.5	30	1*15	7.5	1.5	Ø2	21.6	5	2.8	4
GRV02-45	GRV02-45-S	30				45	2*15				33.6	8		
GRV02-60	GRV02-60-S	44				60	3*15				41.6	10		
GRV02-75	GRV02-75-S	58				75	4*15				49.6	12		
GRV02-90	GRV02-90-S	72				90	5*15				57.6	14		
GRV02-105	GRV02-105-S	86				105	6*15				65.6	16		
GRV02-120	GRV02-120-S	100				120	7*15				73.6	18		
GRV02-135	GRV02-135-S	106				135	8*15				85.6	21		
GRV02-150	GRV02-150-S	120				150	9*15				93.6	23		
GRV02-165	GRV02-165-S	134				165	10*15				101.6	25		
GRV02-180	GRV02-180-S	148				180	11*15				109.6	27		

Ordering Example :	GR	V	01	40	S	P
	Roller	V rail	Roller dia.	Rail length	Antirust	Precision Level

## Linear Motion Component ► Guides & Bearings ► Silde Rail Set

### GRV / GRV - S



### Material Specification

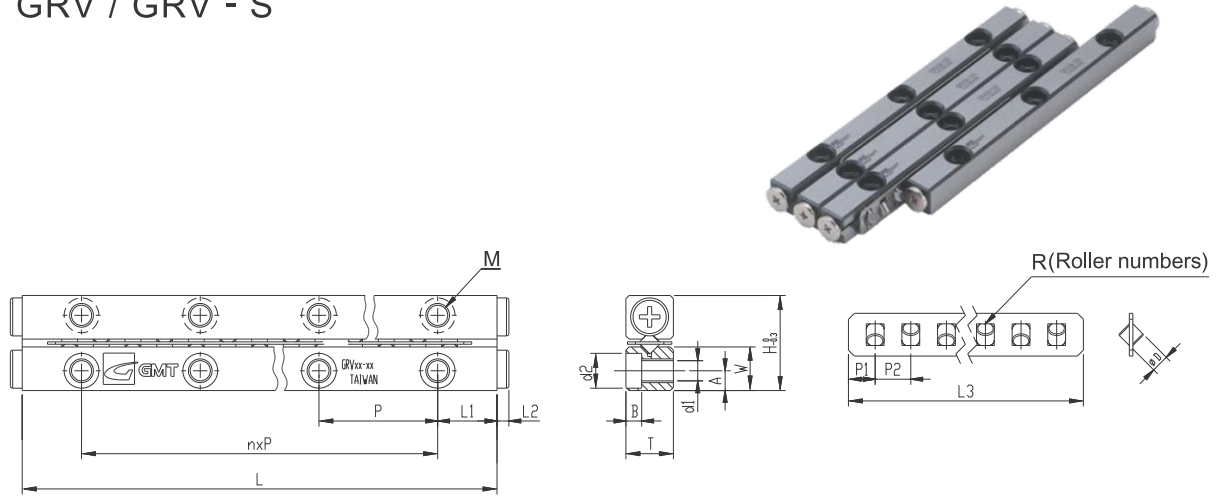
Material Component Model No.	Rail	Roller	Retainer
GRV	SUJ2		SUS304
GRV - S	SUS440C +Ni	SUS440C	

GRV-S No Surface finished to V-groove surface of the rail.

Mounting Dimensions (mm)					Load Per Roller			Weight (g) / 2 Pieces	
A	M	d1	d2	B	Basic Dynamic Load Rating	Basic Static Load Rating	Allowable Load	Standard	Antirust
1.2	M1.4	1.1	2.1	4	62N/1pcs	72N/1pcs	24N/1pcs	2.4	2.6
								3.5	3.8
								4.6	5
								5.7	6.2
								6.8	7.4
								7.9	8.6
								9	9.8
1.8	M2	1.65	3	1.4	125N/1pcs	144N/1pcs	48N/1pcs	4	4
								6	7
								8	9
								10	11
								12	13
								14	16
2.5	M3	2.55	4.4	2	293N/1pcs	292N/1pcs	97N/1pcs	13	14
								20	21
								26	28
								32	35
								39	42
								45	48
								51	55
								58	62
								64	69
								70	76
77	82								

## Linear Motion Component ◉ Guides & Bearings ◉ Silde Rail Set

### GRV / GRV - S



Model No.		Max. Stroke (mm)	Main Dimensions (mm)							Retainer Dimensions (mm)				
Standard	Antirust		H	T	W	L	n*p	L1	L2	ØD	L3	R	P1	P2
GRV03-50	GRV03-50-S	34	18	8	8.3	50	1*25	12.5	2	Ø3	36.4	7	3.2	5
GRV03-75	GRV03-75-S	54				75	2*25				51.4	10		
GRV03-100	GRV03-100-S	74				100	3*25				66.4	13		
GRV03-125	GRV03-125-S	104				125	4*25				76.4	15		
GRV03-150	GRV03-150-S	124				150	5*25				91.4	18		
GRV03-175	GRV03-175-S	144				175	6*25				106.4	21		
GRV03-200	GRV03-200-S	164				200	7*25				121.4	24		
GRV03-225	GRV03-225-S	184				225	8*25				136.4	27		
GRV03-250	GRV03-250-S	204				250	9*25				151.4	30		
GRV03-275	GRV03-275-S	224				275	10*25				166.4	33		
GRV03-300	GRV03-300-S	244				300	11*25				181.4	36		
GRV04-80	GRV04-80-S	54	22	11	10	80	1*40	20	2	Ø4	57.6	8	4.3	7
GRV04-120	GRV04-120-S	92				120	2*40				78.6	11		
GRV04-160	GRV04-160-S	130				160	3*40				99.6	14		
GRV04-200	GRV04-200-S	154				200	4*40				127.6	18		
GRV04-240	GRV04-240-S	192				240	5*40				148.6	21		
GRV04-280	GRV04-280-S	230				280	6*40				169.6	24		
GRV04-320	GRV04-320-S	254				320	7*40				197.6	28		
GRV04-360	GRV04-360-S	292				360	8*40				218.6	31		
GRV04-400	GRV04-400-S	330				400	9*40				239.6	34		
GRV04-440	GRV04-440-S	354				440	10*40				267.6	38		
GRV04-480	GRV04-480-S	392	480	11*40	288.6	41								

Ordering Example :	GR	V	03	75	S	P
	Roller	V rail	Roller dia.	Rail length	Antirust	Precision Level

## GRV / GRV - S



### Material Specification

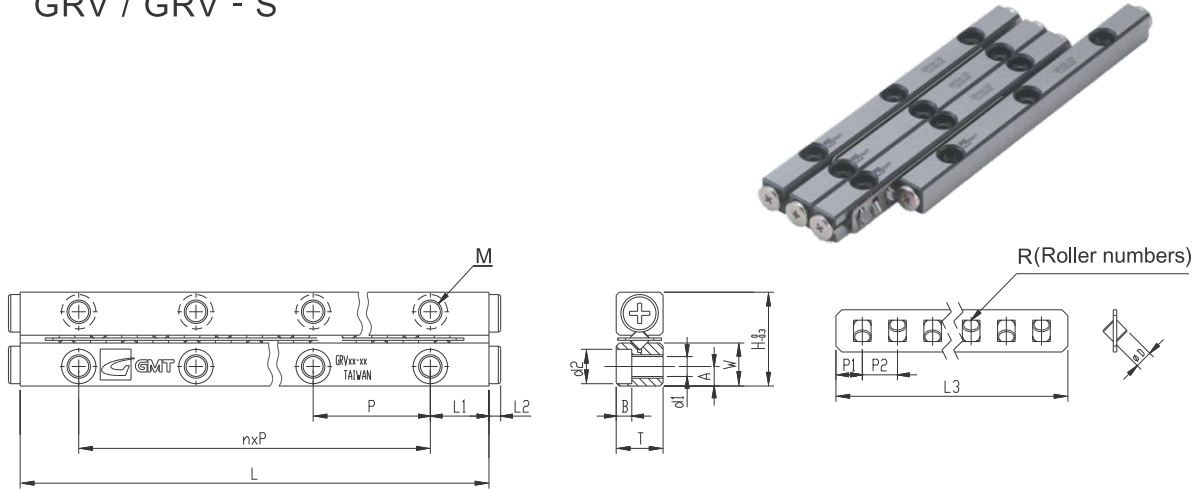
Material / Component / Model No.	Rail	Roller	Retainer
GRV	SUJ2		SUS304
GRV - S	SUS440C +Ni	SUS440C	

GRV-S No Surface finished to V-groove surface of the rail.

Mounting Dimensions (mm)					Load Per Roller			Weight (g) / 2 Pieces	
A	M	d1	d2	B	Basic Dynamic Load Rating	Basic Static Load Rating	Allowable Load	Standard	Antirust
3.5	M4	3.3	6	3.1	638N/1pcs	761N/1pcs	254N/1pcs	46	49
								68	73
								90	97
								112	120
								134	144
								157	168
								179	191
								201	215
								223	239
4.5	M5	4.3	7.5	4.1	1230N/1pcs	1170N/1pcs	390N/1pcs	245	262
								267	286
								122	130
								180	193
								238	254
								296	317
								355	380
								413	442
								472	505
530	568								
589	631								
647	694								
706	756								

## Linear Motion Component ► Guides & Bearings ► Silde Rail Set

### GRV / GRV - S



Model No.		Max. Stroke (mm)	Main Dimensions (mm)							Retainer Dimensions (mm)				
Standard	Antirust		H	T	W	L	n*p	L1	L2	ØD	L3	R	P1	P2
GRV06-100	GRV06-100-S	80	31	15	14	100	1*50	25	2	Ø6	64.8	7	5.4	9
GRV06-150	GRV06-150-S	108				150	2*50				100.8	11		
GRV06-200	GRV06-200-S	154				200	3*50				127.8	14		
GRV06-250	GRV06-250-S	200				250	4*50				154.8	17		
GRV06-300	GRV06-300-S	246				300	5*50				181.8	20		
GRV06-350	GRV06-350-S	274				350	6*50				217.8	24		
GRV06-400	GRV06-400-S	320				400	7*50				244.8	27		
GRV06-450	GRV06-450-S	366				450	8*50				271.8	30		
GRV06-500	GRV06-500-S	412				500	9*50				298.8	33		
GRV06-550	GRV06-550-S	458				550	10*50				325.8	36		
GRV06-600	GRV06-600-S	486				600	11*50				361.8	40		
GRV09-200	/	158				44	22				20.2	200		
GRV09-300	/	246	300	2*100	186.0			13						
GRV09-400	/	306	400	3*100	256.0			18						
GRV09-500	/	394	500	4*100	312.0			22						
GRV09-600	/	482	600	5*100	368.0			26						
GRV09-700	/	570	700	6*100	424.0			30						
GRV09-800	/	658	800	7*100	480.0			34						
GRV09-900	/	746	900	8*100	536.0			38						
GRV09-1000	/	806	1000	9*100	606.0			43						
GRV09-1100	/	894	1100	10*100	662.0			47						
GRV09-1200	/	982	1200	11*100	718.0			51						
GRV12-200	/	160	58	28	26.9			200	1*100	50		3.5	Ø12	130.0
GRV12-300	/	216				300	2*100	202.0	11					
GRV12-400	/	308				400	3*100	256.0	14					
GRV12-500	/	400				500	4*100	310.0	17					
GRV12-600	/	492				600	5*100	364.0	20					
GRV12-700	/	548				700	6*100	436.0	24					
GRV12-800	/	640				800	7*100	490.0	27					
GRV12-900	/	732				900	8*100	544.0	30					
GRV12-1000	/	824				1000	9*100	598.0	33					
GRV12-1100	/	916				1100	10*100	652.0	36					
GRV12-1200	/	972				1200	11*100	724.0	40					

Ordering Example :	GR	V	06	200	S	P
	Roller	V rail	Roller dia.	Rail length	Antirust	Precision Level

## Linear Motion Component ◀ Guides & Bearings ▶ Silde Rail Set

### GRV / GRV - S



### Material Specification

Material Component Model No.	Rail	Roller	Retainer
GRV	SUJ2		SUS304
GRV - S	SUS440C +Ni	SUS440C	

GRV-S No Surface finished to V-groove surface of the rail.

Mounting Dimensions (mm)					Load Per Roller			Weight (g) / 2 Pieces	
A	M	d1	d2	B	Basic Dynamic Load Rating	Basic Static Load Rating	Allowable Load	Standard	Antirust
6	M6	5.3	9.5	5.2	2570N/1pcs	2632N/1pcs	877N/1pcs	287	311
								435	466
								577	618
								721	773
								864	925
								1006	1078
								1150	1232
								1292	1385
								1436	1539
								1579	1691
9	M8	6.8	10.5	6.2	7190N/1pcs	7274N/1pcs	2425N/1pcs	1273	1846
								1267	/
								1891	/
								2509	/
								3133	/
								3756	/
								4628.1	/
								4915.2	/
								5525.3	/
								6140.9	/
6751.1	/								
7361.2	/								
12	M10	8.5	13.5	8.2	14700N/1pcs	13187N/1pcs	4396N/1pcs	2114	/
								3161	/
								4195	/
								5242	/
								6276	/
								7734.8	/
								8829.2	/
								9261.2	/
								10281.7	/
								11302.3	/
12336.4	/								