

SAPF 2

(SA2-fitted)

Pressed Housing Flange Units (light-duty)

SBPF 2

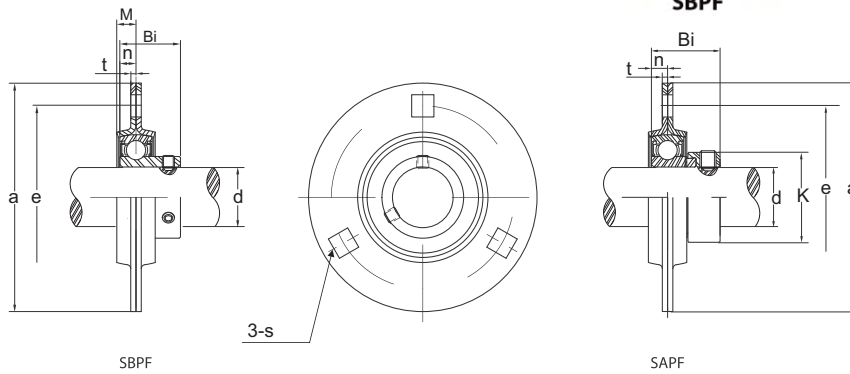
(SB2-fitted)



SBPF



SAPF



unit No.	Shaft Dia	Dimensions (mm)						Bolt Used (in.)	SAPF				SBPF			Housing No.
	d (mm)	a	e	M	t (mm)	s	n		Bi	K	Bearing No.	Weight kg.	Bi	Bearing No.	Weight kg.	
SAPF 201 SBPF 201-8	12	81	63.5	7.0	2	7.1	6.0	¼	28.5	28.6	SA 201 201-8	0.30	22.0	SB 201 201-8	0.27	PF 203
SAPF 202 SBPF 202-10	15	81	63.5	7.0	2	7.1	6.0	¼	28.5	28.6	SA 202 202-10	0.30	22.0	SB 202 202-10	0.27	PF 203
SAPF 203 SBPF	17	81	63.5	7.0	2	7.1	6.0	¼	28.5	28.6	SA 203	0.30	22.0	SB 203	0.27	PF 203
SAPF 204-12 SBPF 204	20	90	71.5	8	2	9.0	7.0	⅝	29.5	33.3	SA 204-12 204	0.33	25.0	SB 204-12 204	0.33	PF 204
SAPF 205-14 SBPF 205 205-16	25	95	76	9	2	9.0	7.5	⅝	30.5	38.1	SA 205-14 205 205-16	0.42	27.0	SB 205-14 205 205-16	0.38	PF 205
SAPF 206-18 SBPF 206 206-19 206-20	30	113	90.5	9.5	2.6	11	8.0	¾	33.9	44.5	SA 206-18 206 206-19 206-20	0.65	30.0	SB 206-18 206 206-19 206-20	0.62	PF 206
SAPF 207-20 SBPF 207-22 207 207-23	35	122	100	11	2.6	11	8.5	¾	36.5	55.6	SA 207-20 207-22 207 207-23	0.90	32.0	SB 207-20 207-22 207 207-23	0.82	PF 207

