

Model	Matching Drivers
20CM003	EM3E-522 / EM415S
20CM005	EM3E-522 / EM415S
28CM006	EM3E-522 / EM415S
28CM010	EM3E-522 / EM415S
28CM013	EM3E-522 / EM415S
35CM015	EM3E-522 / EM415S
35CM04	EM3E-522 / EM415S
42CM02	EM3E-522 / EM415S / EM542S / Em402 / Dm422
42CM02-1A	EM3E-522 / EM415S / EM542S / Em402 / Dm422
42CM04	EM3E-522 / EM415S / EM542S / Em402 / Dm422
42CM04-1A	EM3E-522 / EM415S / EM542S / Em402 / Dm422
42CM06	EM3E-522 / EM3E-542 / EM542S / Mx3660 / Mx4660 / Em402 / Em503 / Dm422 / Dm556
42CM06-1A	EM3E-522 / EM3E-542 / EM415S / EM542S / Em402 / Dm422
42CM08	EM3E-522 / EM3E-542 / EM542S / Mx3660 / Mx4660 / Em402 / Em503 / Dm422 / Dm556
42CM08-1A	EM3E-522 / EM3E-542 / EM415S / EM542S / Em402 / Dm422
57CM06	EM3E-542/EM3E-556/EM542S/EM556S/Mx3660/Mx4660/Em503/Dm556/Dm856/DM805-AI
57CM13	EM3E-542/EM3E-556/EM542S/EM556S/MX3660/MX4660/DM556/DM856/DM805-AI
57CM13-3A	EM3E-542/EM3E-556/EM542S/EM556S/MX3660/MX4660/EM503/EM705/DM556/DM856/DM870/DM805-AI
57CM23	EM3E-556/EM3E-870/EM556S/MX3660/MX4660/EM705/DM556/DM856/DM870/DM805-AI
57CM23-3A	EM3E-542/EM3E-556/EM542S/EM556S/MX3660/MX4660/EM503/EM705/DM556/DM856/DM870/DM805-AI
57CM23-4A	EM3E-556/EM3E-870/EM556S/MX3660/MX4660/EM705/DM556/DM856/DM870/DM805-AI
57CM23-4A-0-I6	EM3E-556/EM3E-870/EM556S/MX3660/MX4660/EM705/DM556/DM856/DM870/DM805-AI
57CM26	EM3E-556/EM3E-870/EM556S/MX3660/MX4660/EM705/DM556/DM856/DM870/DM805-AI
57CM26-4A	EM3E-556/EM3E-870/EM556S/MX3660/MX4660/EM705/DM556/DM856/DM870/DM805-AI
57-CM26-4A-0-I6	EM3E-556/EM3E-870/EM556S/MX3660/MX4660/EM705/DM556/DM856/DM870/DM805-AI
D57CM21	E,3E-556/EM3E-870/EM556S/MX3660/MX4660/EM705/EM806/DM856/DM805-AI
D57CM21-4A	EM3E-556/EM3E-870/EM556S/MX3660/MX4660/EM503/EM705/EM806/DM556/DM856/DM870/DM805-AI



Model	Matching Drivers
D57CM31	EM3-556/EM3E-870/EM556S/MX3660/MX4660/EM705/EM806/DM856/DM805-AI
D57CM31-4A	EM3E-556/EM3E-870/EM556S/MX3660/MX4660/EM503/EM705/EM806/DM556/DM856/DM870/DM805-AI
D57CM31-4A-0-I9	EM3E-556/EM3E-870/EM556S/MX3660/MX4660/EM503/EM705/EM806/DM556/DM856/DM870/DM805-AI
60CM22X	EM3E-556/EM3E-870/EM556S/MX3660/MX4660/EM705/EM806/DM556/DM856/DM870/DM805-AI
60CM30X	EM3E-556/EM3E-870/EM556S/MX3660/MX4660/EM705/EM806/DM556/DM856/DM870/DM805-AI
86CM35	EM3E-556/EM3E-870/EM556S/MX3660/MX4660/EM705/EM806/DM856/DM870/DM805-AI
86CM45	EM3E-870/MX3660/MX4660/EM705/EM806/DM856/DM870/DM805-AI
86CM80	EM3E-870/EM705/EM806/DM870/DM805-AI/DM1182/DM2282
86CM85	EM3E-870/EM705/EM806/DM870/DM805-AI/DM1182/DM2282
86CM120	EM3E-870/EM705/EM806/DM870/DM805-AI/DM1182/DM2282

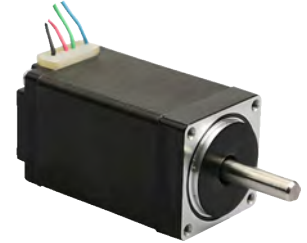


NEMA 11 2-phase

Overview:

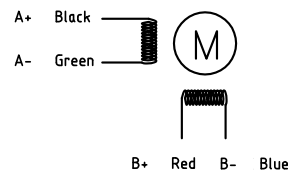
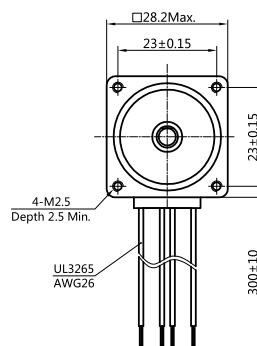
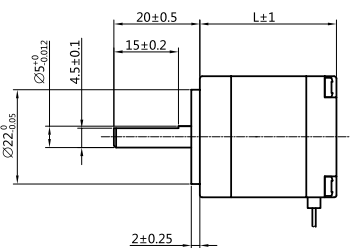
CM series NEMA 11 two-phase stepper motor covers multiple types of standard motors from 0.06 Nm to 0.13 Nm.

Note: In such specifications tables, (**) represents recommended models with permanent inventory;



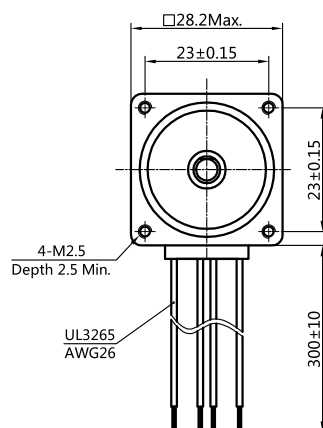
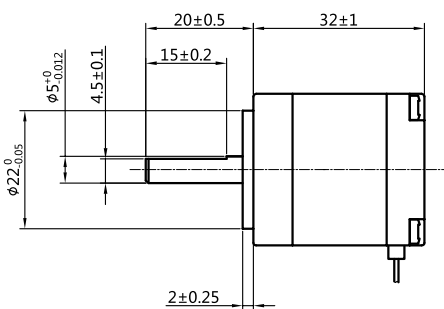
Standard Models:

Length (mm)	Model	Holding Torque (N.m)	Rate Current (A)	Resistance/Phase(Ω)	Inductance/Phase(mH)	Inertia (Kg·cm ²)	Matching Drives
32	28CM006	0.06	1.2	1.4	1.0	0.009	EM415S
41	28CM010	0.1	1.2	1.8	1.6	0.013	EM415S
51	28CM013	0.13	1.2	2.2	2.3	0.018	EM415S

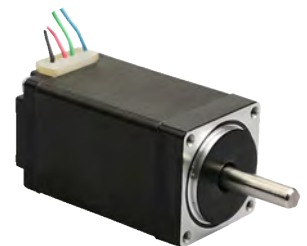
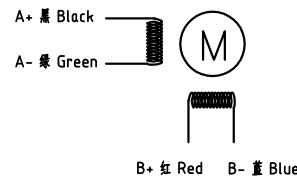


28CM006

Dimension: (Unit: mm)



Motor Connections:



Common Rating

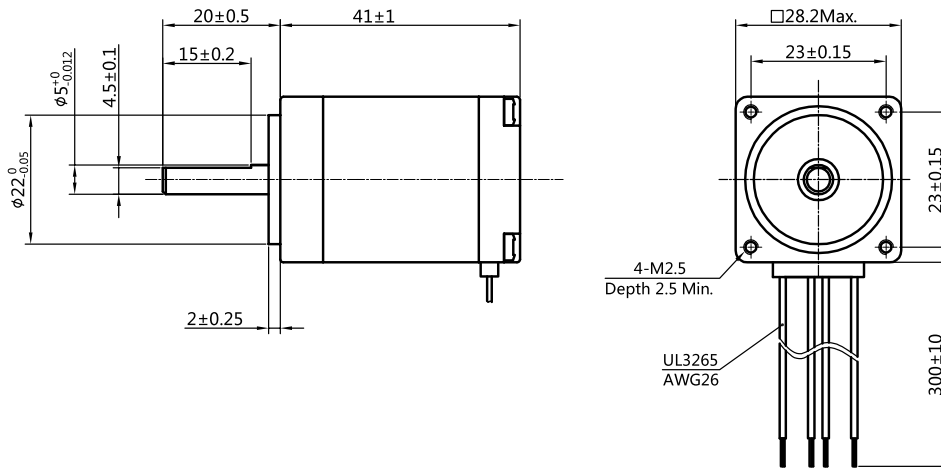
Step angle	1.8°
Position accuracy	1.8±0.09°
Dielectric strength	500VAC 1min
Insulation resistance	100MΩ(500VDC)
Insulation class	B
Temp rise(Max)	80K
Radial play	Max.0.02mm(Load 450g)
Axial play	Max.0.08mm(Load 900g)

Specification:

Current/phase	1.2 A (Peak Current)
Voltage	1.7V
DC Resistance/phase ±10%	1.4 Ω
Inductance/phase ±20%	1.0 mH
Holding torque	0.06 N·M
Inertia	0.09 kg·cm ²
Weight	0.11 kg

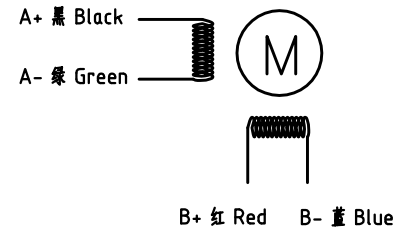


28CM010



Dimension: (Unit: mm)

Motor Connctions:

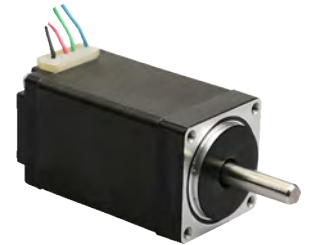


Common Rating

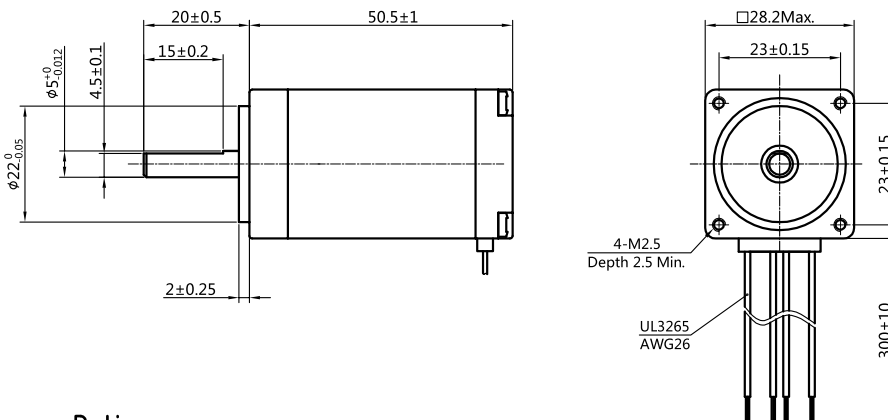
Step angle	1.8°
Position accuracy	1.8±0.09°
Dielectric strength	500VAC 1min
Insulation resistance	100MΩhm(500VDC)
Insulation class	B
Temp rise(Max)	80K
Radial play	Max.0.02mm(Load 450g)
Axial play	Max.0.08mm(Load 900g)

Specification:

Current/phase	1.2 A (Peak Current)
Voltage	1.7V
DC Resistance/phase ±10%	1.8 Ω
Inductance/phase ±20%	1.6 mH
Holding torque	0.1 N·M
Inertia	0.13 kg·cm ²
Weight	0.16 kg

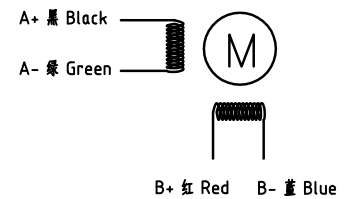


28CM013



Dimension: (Unit: mm)

Motor Connctions:



Common Rating

Step angle	1.8°
Position accuracy	1.8±0.09°
Dielectric strength	500VAC 1min
Insulation resistance	100MΩhm(500VDC)
Insulation class	B
Temp rise(Max)	80K
Radial play	Max.0.02mm(Load 450g)
Axial play	Max.0.08mm(Load 900g)

Specification:

Current/phase	1.2 A (Peak Current)
Voltage	2.64V
DC Resistance/phase ±10%	2.2 Ω
Inductance/phase ±20%	2.3 mH
Holding torque	0.13 N·M
Inertia	0.18 kg·cm ²
Weight	0.2 kg

