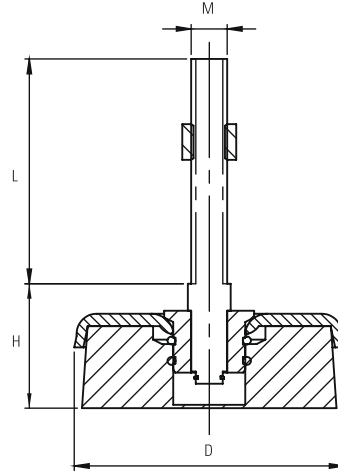


AL SERIES Heavy Type Leveling Feet

CODE	D (mm)	M	L (mm)	H (mm)	Load kg / pcs
AL 08 1210	80	M12x100	100	50	600
AL 08 1610	80	M16x100	100	50	800
AL 12 1610	120	M16x100	100	55	1000
AL 12 2015	120	M20x150	150	55	1200
AL 16 2015	160	M20x150	150	60	2000
AL 16 2415	160	M24x150	150	60	3000



Heavy Type Machine Balance Feet

NBR 80 heavy-duty machine balance feet with shore rubber sole
Zinc plated

Usage Areas

Conveyors, packaging machines, automation systems, light machinery systems and chemical plants.

