

Model	Matching Drivers
35HS01	M422
39HS02	M422
42HS03	M422
57HS09	M542
57HS13	M542
57HS22	M542
86HS35	MA860H/M880A/M542
86HS45	MA860H/M880A
86HS85	MA860H/M880A
86HS120	MA860H/M880A
110HS12	DM1182/DM2282
110HS20	DM1182/DM2282
110HS28	DM1182/DM2282
130HS27	DM1182/DM2282
130HS33	DM1182/DM2282
130HS40	DM1182/DM2282
130HS45	DM1182/DM2282
573S09	3DM580/3DM683
573S15	3DM580/3DM683
863S22	3DM683/3DM580
863S42	3DM683/3DM580
863S68H	3DM683/3DM580



## 130HSxx Series



### General Specifications

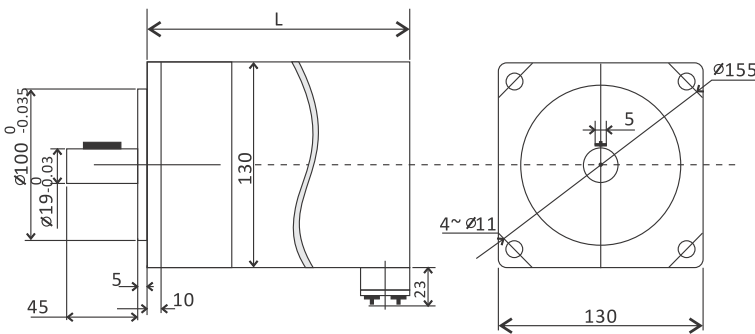
Angle Accuracy	± 5%(full step, no load)
Temperature Rise	80 °C Max
Ambient Temperature	-10 °C — +50 °C
Insulation Resistance	100M Ω min. 500VDC
Dielectric Strength	500VAC for one minute
Shaft Radial Play	0.06 Max. (450g-load)
Shaft Axial Play	0.08 Max. (450g-load)

### Selection Table

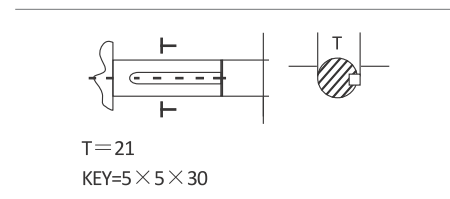
Phase	NEMA Size	Model	Step Angle (°)	# of Leads	Connection	Current/Phase (A)	Holding Torque (Nm)	Length L (mm)	Weight (kg)	Match Drives
2	51	130HS27	1.8	4	-	6.0	27	227	13	DM2282 / DM1182
		130HS33	1.8	4	-	6.0	33	227	13	DM2282 / DM1182
		130HS40	1.8	4	-	7.0	40	283	16	DM2282 / DM1182
		130HS45	1.8	4	-	7.0	45	283	19	DM2282 / DM1182

### Mechanical Specifications

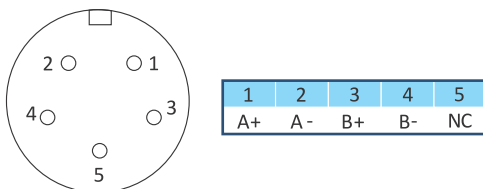
Unit: mm 1inch=25.4mm



### Specifications of Motor Shafts



### Wiring Diagram



### Match Drives

Model	Match Drives
130HSxx	DM2282 / DM1182

