

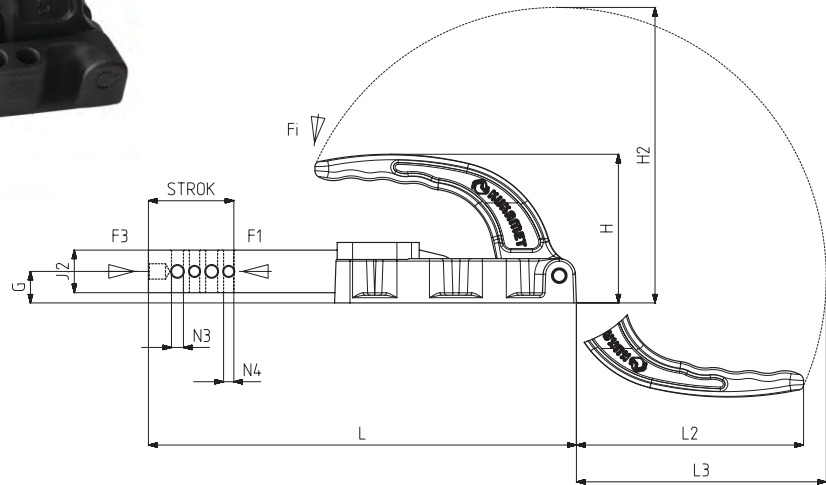
Straight Line Push-Pull Type Toggle Clamps

534

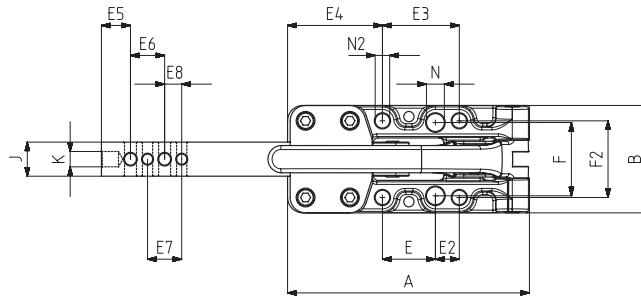


MODEL NO	F1 (N)	F3 (N)	Fi	STROK	(WEIGHT) (gr)
			VERİM (YIELD) (F1:Fi)		
534 - 5 (□20x25)	12000	12000	30:1	50	2170

F1 : BASKI KUVVETİ (EXERTING FORCE), F3 : TUTMA KAPASİTESİ (HOLDING CAPACITY), Fi : UYGULAMA KUVVETİ (APPLIED FORCE)

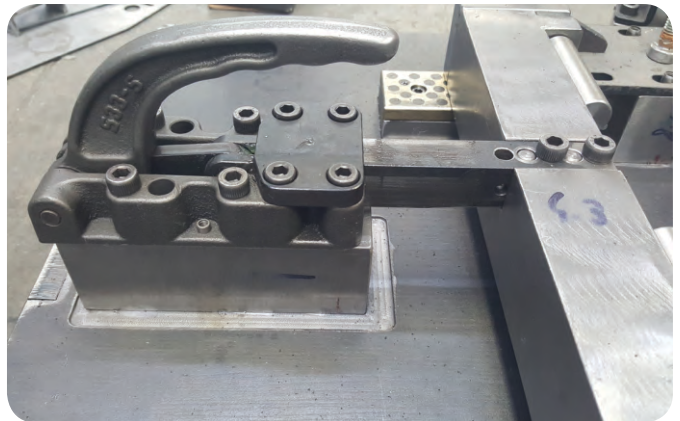


Body Mounting Base Horizontal, Casting



Product Features;

The products are strong and suited for heavy duty applications.
The body and arm are made of strong GGG-60 casting and phosphate coated for corrosion resistance
The mechanism parts are made of phosphate coated steel for corrosion resistance.



MODEL NO	A	B	C	D	E	E2	E3	E4	E5	E6	E7	E8	F	F2	G	H	H2	J	J2	K	L	L2	L3	N	N2	N3	N4
534 - 5 (□20x25)	141,5	63			31	14	45	55,5	17	20	20	10	43	45	18,5	87	173	20	25	9	250,5	133	147	Ø 10,5	Ø 8,5	Ø 7	Ø 6



تلفن : (021) 33913364 - 33951660

فکس : (021) 33985603