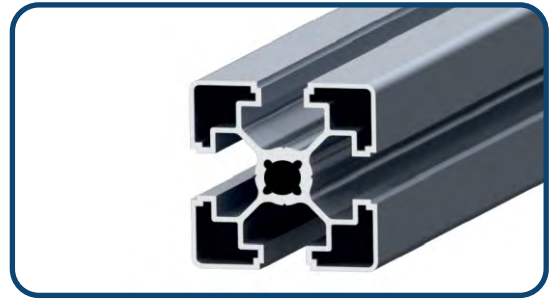
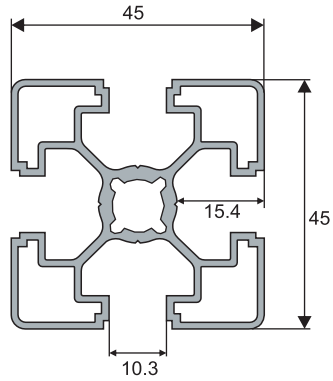
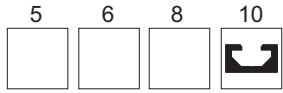


سبک L 45*45 OBC-45



Part No.	Wy cm ³	Wx cm ³	Ly cm ⁴	Lx cm ⁴	L mm	coating	Material	Area cm ²	Weight kg/m
OBC-45*45 L	4.8	4.8	11	11	6000	Anodizad	AL-6063	7.5	1.160

L(Standard) : 6050 mm



