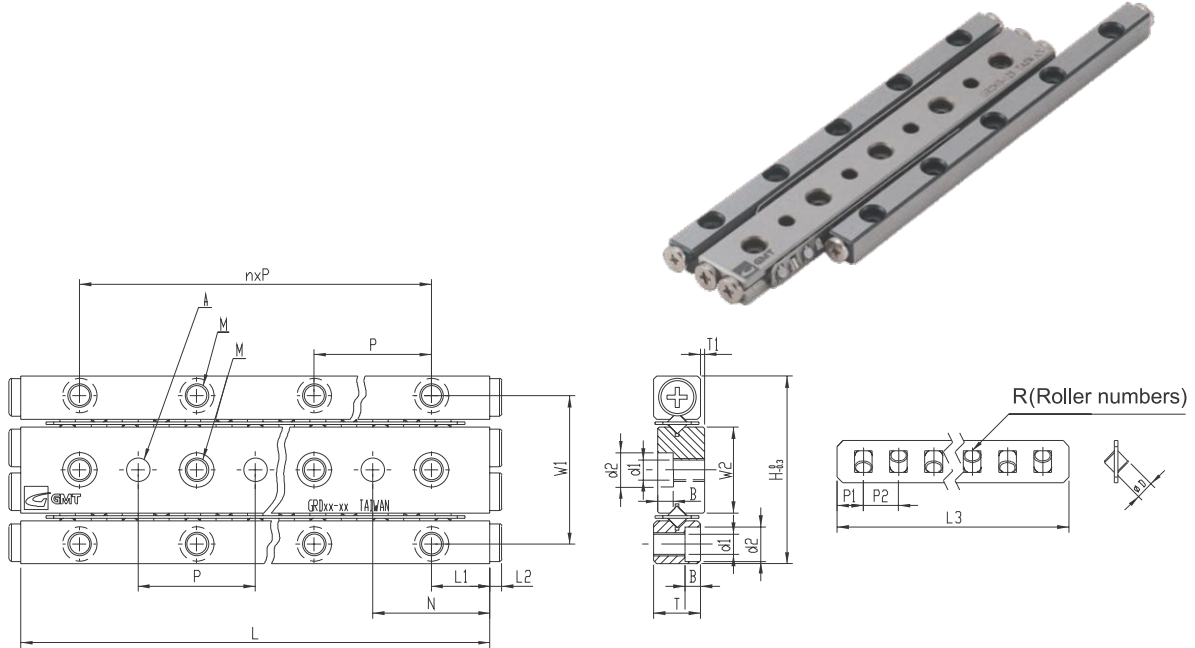


GRD / GRD - S



| Model No. | | Max. Stroke (mm) | Main Dimensions (mm) | | | | | | | | | Retainer Dimensions (mm) | | | | |
|-----------|-------------|------------------|----------------------|-------|-------|-------|------|-----|-----|-----|----|--------------------------|-------|----|-----|----|
| Standard | Antirust | | H | T | L | n*p | W1 | W2 | L1 | L2 | N | ØD | L3 | R | P1 | P2 |
| GRD01-20 | GRD01-20-S | 13 | 17 | 4 | 20 | 1*10 | 13.4 | 7.8 | 5 | 1.3 | 10 | Ø1.5 | 15.8 | 5 | 1.9 | 3 |
| GRD01-30 | GRD01-30-S | 21 | | | 30 | 2*10 | | | | | | | 21.8 | 7 | | |
| GRD01-40 | GRD01-40-S | 29 | | | 40 | 3*10 | | | | | | | 27.8 | 9 | | |
| GRD01-50 | GRD01-50-S | 37 | | | 50 | 4*10 | | | | | | | 33.8 | 11 | | |
| GRD01-60 | GRD01-60-S | 45 | | | 60 | 5*10 | | | | | | | 39.8 | 13 | | |
| GRD01-70 | GRD01-70-S | 53 | | | 70 | 6*10 | | | | | | | 45.8 | 15 | | |
| GRD01-80 | GRD01-80-S | 61 | | | 80 | 7*10 | | | | | | | 51.8 | 17 | | |
| GRD02-30 | GRD02-30-S | 24 | 24 | 6 | 30 | 1*15 | 19 | 11 | 7.5 | 1.5 | 15 | Ø2 | 21.6 | 5 | 2.8 | 4 |
| GRD02-45 | GRD02-45-S | 30 | | | 45 | 2*15 | | | | | | | 33.6 | 8 | | |
| GRD02-60 | GRD02-60-S | 44 | | | 60 | 3*15 | | | | | | | 41.6 | 10 | | |
| GRD02-75 | GRD02-75-S | 58 | | | 75 | 4*15 | | | | | | | 49.6 | 12 | | |
| GRD02-90 | GRD02-90-S | 72 | | | 90 | 5*15 | | | | | | | 57.6 | 14 | | |
| GRD02-105 | GRD02-105-S | 86 | | | 105 | 6*15 | | | | | | | 65.6 | 16 | | |
| GRD02-120 | GRD02-120-S | 100 | | | 120 | 7*15 | | | | | | | 73.6 | 18 | | |
| GRD02-135 | GRD02-135-S | 106 | | | 135 | 8*15 | | | | | | | 85.6 | 21 | | |
| GRD02-150 | GRD02-150-S | 120 | | | 150 | 9*15 | | | | | | | 93.6 | 23 | | |
| GRD02-165 | GRD02-165-S | 134 | | | 165 | 10*15 | | | | | | | 101.6 | 25 | | |
| GRD02-180 | GRD02-180-S | 148 | 180 | 11*15 | 109.6 | 27 | | | | | | | | | | |

| | | | | | | |
|--------------------|------|--------|-------------|-------------|----------|-----------------|
| Ordering Example : | GR | D | 01 | 40 | S | P |
| | Ball | D rail | Roller dia. | Rail length | Antirust | Precision Level |

Linear Motion Component ► Guides & Bearings ► Silde Rail Set

GRD / GRD - S



Material Specification

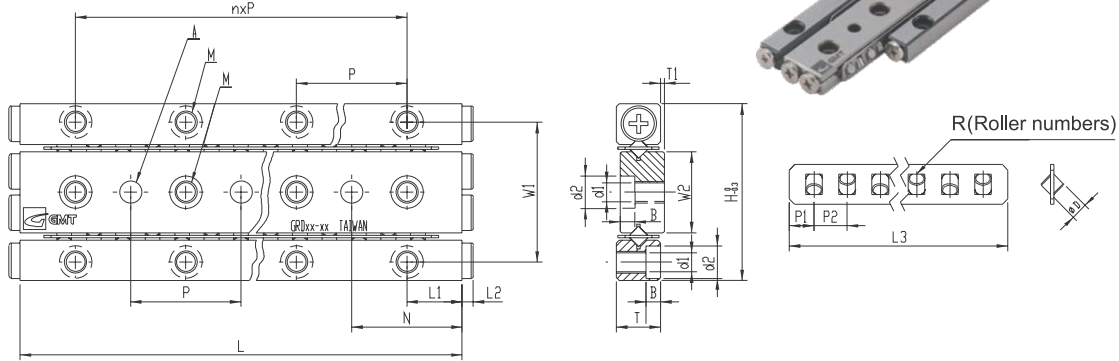
| Material Component Model No. | Rail | Roller | Retainer |
|---------------------------------|----------------|---------|----------|
| GRD | SUJ2 | | SUS304 |
| GRD - S | SUS440C +Ni | SUS440C | |

GRD-S No Surface finished to V-groove surface of the rail.

| Mounting Dimensions (mm) | | | | | | Load Per Roller | | | Weight (g) / 2 Pieces | |
|--------------------------|-----|------|-----|----------------|-----|---------------------------|--------------------------|----------------|-----------------------|----------|
| T1 | M | d1 | d2 | A | B | Basic Dynamic Load Rating | Basic Static Load Rating | Allowable Load | Standard | Antirust |
| 0.5 | M2 | 1.65 | 3 | $2^{+0.010}_0$ | 1.4 | 125N/1pcs | 144N/1pcs | 48N/1pcs | 9 | 9 |
| | | | | | | | | | 13 | 13 |
| | | | | | | | | | 17 | 18 |
| | | | | | | | | | 20 | 22 |
| | | | | | | | | | 24 | 26 |
| | | | | | | | | | 29 | 31 |
| 0.5 | M3 | 2.55 | 4.4 | $3^{+0.010}_0$ | 2 | 293N/1pcs | 292N/1pcs | 97N/1pcs | 33 | 35 |
| | | | | | | | | | 27 | 29 |
| | | | | | | | | | 40 | 43 |
| | | | | | | | | | 53 | 57 |
| | | | | | | | | | 66 | 70 |
| | | | | | | | | | 78 | 84 |
| | | | | | | | | | 91 | 98 |
| | | | | | | | | | 104 | 111 |
| | | | | | | | | | 117 | 125 |
| | | | | | | | | | 130 | 139 |
| 142 | 153 | | | | | | | | | |
| 155 | 166 | | | | | | | | | |

Linear Motion Component ► Guides & Bearings ► Silde Rail Set

GRD / GRD - S



| Model No. | | Max. Stroke (mm) | Main Dimensions (mm) | | | | | | | | | | Retainer Dimensions (mm) | | | |
|-----------|-------------|------------------|----------------------|-------|-------|-------|-------|------|------|----|----|----|--------------------------|------|-----|----|
| Standard | Antirust | | H | T | L | n*p | W1 | W2 | L1 | L2 | N | ØD | L3 | R | P1 | P2 |
| GRD03-50 | GRD03-50-S | 34 | 36 | 8 | 50 | 1*25 | 29 | 16.6 | 12.5 | 3 | 25 | Ø3 | 36.4 | 7 | 3.2 | 5 |
| GRD03-75 | GRD03-75-S | 54 | | | 75 | 2*25 | | | | | | | 51.4 | 10 | | |
| GRD03-100 | GRD03-100-S | 74 | | | 100 | 3*25 | | | | | | | 66.4 | 13 | | |
| GRD03-125 | GRD03-125-S | 104 | | | 125 | 4*25 | | | | | | | 76.4 | 15 | | |
| GRD03-150 | GRD03-150-S | 124 | | | 150 | 5*25 | | | | | | | 91.4 | 18 | | |
| GRD03-175 | GRD03-175-S | 144 | | | 175 | 6*25 | | | | | | | 106.4 | 21 | | |
| GRD03-200 | GRD03-200-S | 164 | | | 200 | 7*25 | | | | | | | 121.4 | 24 | | |
| GRD03-225 | GRD03-225-S | 184 | | | 225 | 8*25 | | | | | | | 136.4 | 27 | | |
| GRD03-250 | GRD03-250-S | 204 | | | 250 | 9*25 | | | | | | | 151.4 | 30 | | |
| GRD03-275 | GRD03-275-S | 224 | | | 275 | 10*25 | | | | | | | 166.4 | 33 | | |
| GRD03-300 | GRD03-300-S | 244 | | | 300 | 11*25 | | | | | | | 181.4 | 36 | | |
| GRD04-80 | GRD04-80-S | 54 | | | 44 | 11 | | | | | | | 80 | 1*40 | | |
| GRD04-120 | GRD04-120-S | 92 | 120 | 2*40 | | | 78.6 | 11 | | | | | | | | |
| GRD04-160 | GRD04-160-S | 130 | 160 | 3*40 | | | 99.6 | 14 | | | | | | | | |
| GRD04-200 | GRD04-200-S | 154 | 200 | 4*40 | | | 127.6 | 18 | | | | | | | | |
| GRD04-240 | GRD04-240-S | 192 | 240 | 5*40 | | | 148.6 | 21 | | | | | | | | |
| GRD04-280 | GRD04-280-S | 230 | 280 | 6*40 | | | 169.6 | 24 | | | | | | | | |
| GRD04-320 | GRD04-320-S | 254 | 320 | 7*40 | | | 197.6 | 28 | | | | | | | | |
| GRD04-360 | GRD04-360-S | 292 | 360 | 8*40 | | | 218.6 | 31 | | | | | | | | |
| GRD04-400 | GRD04-400-S | 330 | 400 | 9*40 | | | 239.6 | 34 | | | | | | | | |
| GRD04-440 | GRD04-440-S | 354 | 440 | 10*40 | | | 267.6 | 38 | | | | | | | | |
| GRD04-480 | GRD04-480-S | 392 | 480 | 11*40 | 288.6 | 41 | | | | | | | | | | |

| | | | | | | |
|--------------------|------|--------|-------------|-------------|----------|-----------------|
| Ordering Example : | GR | D | 03 | 75 | S | P |
| | Ball | D rail | Roller dia. | Rail length | Antirust | Precision Level |

Linear Motion Component ◀ Guides & Bearings ▶ Silde Rail Set

GRD / GRD - S



Material Specification

| Material / Component / Model No. | Rail | Roller | Retainer |
|----------------------------------|-------------|---------|----------|
| GRD | SUJ2 | | SUS304 |
| GRD - S | SUS440C +Ni | SUS440C | |

GRD-S No Surface finished to V-groove surface of the rail.

| Mounting Dimensions (mm) | | | | | | Load Per Roller | | | Weight (g) / 2 Pieces | |
|--------------------------|------|-----|-----|---------------------|-----|---------------------------|--------------------------|----------------|-----------------------|----------|
| T1 | M | d1 | d2 | A | B | Basic Dynamic Load Rating | Basic Static Load Rating | Allowable Load | Standard | Antirust |
| 0.5 | M4 | 3.3 | 6 | 4 ^{+0.012} | 3.1 | 638N/1pcs | 761N/1pcs | 254N/1pcs | 94 | 101 |
| | | | | | | | | | 139 | 148 |
| | | | | | | | | | 183 | 196 |
| | | | | | | | | | 228 | 244 |
| | | | | | | | | | 273 | 292 |
| | | | | | | | | | 317 | 340 |
| | | | | | | | | | 362 | 387 |
| | | | | | | | | | 406 | 435 |
| | | | | | | | | | 451 | 483 |
| | | | | | | | | | 496 | 531 |
| 0.5 | M5 | 4.3 | 7.5 | 5 ^{+0.012} | 4.1 | 1230N/1pcs | 1170N/1pcs | 390N/1pcs | 248 | 265 |
| | | | | | | | | | 366 | 392 |
| | | | | | | | | | 484 | 518 |
| | | | | | | | | | 602 | 645 |
| | | | | | | | | | 722 | 773 |
| | | | | | | | | | 840 | 900 |
| | | | | | | | | | 959 | 1028 |
| | | | | | | | | | 1079 | 1156 |
| | | | | | | | | | 1197 | 1283 |
| | | | | | | | | | 1316 | 1411 |
| 1434 | 1538 | | | | | | | | | |