

Vertical Toggle Clamps

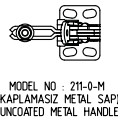
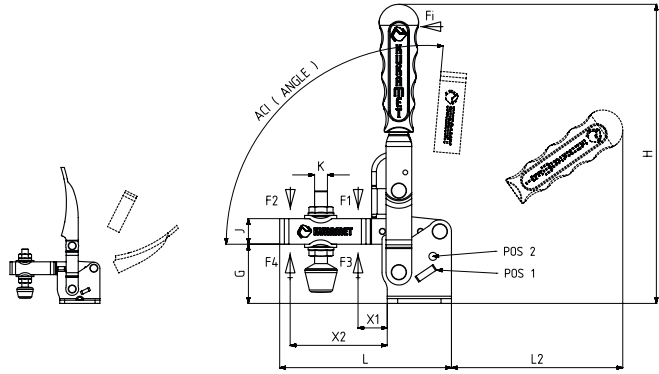
211-L

new

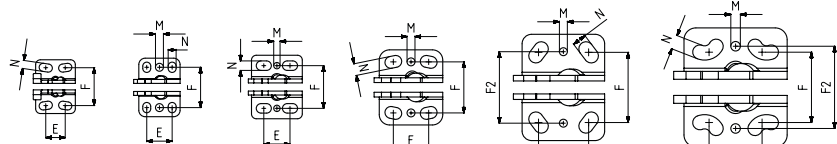


| MODEL NO | (STAINLESS) | (BLACK) | F1 (N) | F2 (N) | F3 (N) | F4 (N) | F1 | | BASKI VİDASI (SQUEEZE SCREW) | (ANGLE) (± 5 °) | | (WEIGHT) (gr) |
|----------|--------------|--------------|--------|--------|--------|--------|----------------------------|----------------------------|------------------------------|-----------------|------|---------------|
| | | | | | | | (X1) VERİM (YIELD) (F1:F1) | (X2) VERİM (YIELD) (F2:F1) | | POS1 | POS2 | |
| 211-0-M | S 211 - | B 211 - | 550 | 350 | 700 | 455 | 10:1 | 5:1 | M4X25 | 115° | | 80 |
| 211-0 | S 211 - | B 211 - | 550 | 350 | 700 | 455 | 10:1 | 5:1 | M4X25 | 115° | | 72 |
| 211-1 | S 211 - | B 211 - | 750 | 500 | 1000 | 680 | 12:1 | 8:1 | M5X35 | 105° | | 155 |
| 211-2 | S 211 - | B 211 - | 1200 | 700 | 1400 | 925 | 12:1 | 7,5:1 | M6X40 | 105° | | 230 |
| 211-3 | S 211 - | B 211 - | 2000 | 1400 | 2500 | 1560 | 11:1 | 8:1 | M8X50 | 105° | | 415 |
| 211-4 | S 211 - | B 211 - | 3000 | 2000 | 3300 | 2200 | 11,5:1 | 8:1 | M10X70 | 135° | 105° | 900 |
| 211-5 | S 211 - | B 211 - | 4500 | 2500 | 5000 | 3000 | 12:1 | 7:1 | M12X80 | 135° | 105° | 1540 |

F1 - F2 : BASKI KUVVETİ (EXERTING FORCE) , F3 - F4 : TUTMA KAPASİTESİ (HOLDING CAPACITY) , F1 : UYGULAMA KUVVETİ (APPLIED FORCE)



MODEL NO : 211-0-M
(KAPLAMASIZ METAL SAP)
(UNCOATED METAL HANDLE)



MODEL NO : 211-0 MODEL NO : 211-1 MODEL NO : 211-2 MODEL NO : 211-3 MODEL NO : 211-4 MODEL NO : 211-5

Body Mounting Base Horizontal

211-0-M



| MODEL NO | A | B | C | D | E | F | F2 | G | H | J | K | L | L2 | M | N | X1 | X2 |
|----------|----|------|-----|----|-----------|-------------|------|----|-----|----|-----|-----|-----|----|------------|----|-----|
| 211-0-M | 25 | 34 | 31 | 20 | 9 - 15,5 | 23,5 - 24 | | 18 | 85 | 8 | M4 | 56 | 50 | | 5 x 8 | 11 | 22 |
| 211-0 | 25 | 34 | 31 | 20 | 9 - 15,5 | 23,5 - 24 | | 18 | 77 | 8 | M4 | 56 | 45 | | 5 x 8 | 11 | 22 |
| 211-1 | 26 | 37 | 44 | 26 | 16 | 24 - 27 | 25,5 | 23 | 125 | 10 | M5 | 70 | 75 | Ø5 | 6 x 6,5 | 18 | 34 |
| 211-2 | 32 | 40 | 62 | 42 | 13 - 20 | 27 | 27 | 26 | 141 | 13 | M6 | 94 | 85 | Ø4 | 6 x 9,5 | 20 | 50 |
| 211-3 | 40 | 47,5 | 67 | 42 | 19 - 25 | 31,5 - 32,5 | 32,3 | 37 | 187 | 16 | M8 | 107 | 110 | Ø5 | 7,5 x 10,5 | 25 | 52 |
| 211-4 | 52 | 67 | 100 | 67 | 28 - 34,5 | 40 - 48,5 | 45,2 | 47 | 240 | 20 | M10 | 152 | 160 | Ø5 | 9 x 14,5 | 34 | 82 |
| 211-5 | 65 | 75 | 130 | 88 | 24,5 - 45 | 44,5 - 52 | 52 | 58 | 263 | 25 | M12 | 195 | 165 | Ø6 | 9 x 19,5 | 42 | 107 |



تلفن : (021) 33913364 - 33951660

فکس : (021) 33985603