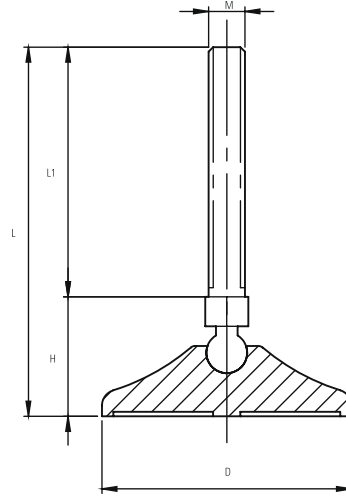


EP11 SERIES (19 - 22 SW) Ø110 Polyamide Articulated Feet

CODE	D (mm)	M	L (mm)	L1 (mm)	H (mm)	Load kg / pcs
EP11 1050	110	M10x50	100	50	50	1000
EP11 1010	110	M10x100	150	100	50	1000
EP11 1250	110	M12x50	100	50	50	1000
EP11 1210	110	M12x100	150	100	50	1000
EP11 1660	110	M16x60	110	60	50	1000
EP11 1611	110	M16x110	160	110	50	1000
EP11 1615	110	M16x150	200	150	50	1000
EP11 1620	110	M16x200	250	200	50	1000
EP11 2011	110	M20x110	160	110	50	1000
EP11 2015	110	M20x150	200	150	50	1000
EP11 2020	110	M20x200	250	200	50	1000
EP11 2411	110	M24x110	160	110	50	1000



Material: GLASS FIBER REINFORCED POLYAMID BASE

Metal : ST 37

Coating: WHITE CR + 3 COVERED BOLT

Add (L) to the standard product code for the anti-slip rubber pad and (S) for the addition of nut

