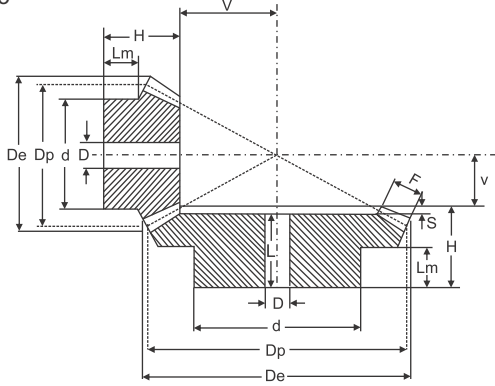


Bevel Gear Pairs With Usual Axes-Type A

Pressure angle 20°

Material : C45

Ratio 1:1



Modul	Z	Cod.	De	Dp	H	F	d	D	V	L	Lm	S
1.5	16	CC 27016	26.1	24.0	18.9	6	20.3	8	7.10	16.9	12	2
	20	CC 27020	32.1	30.0	20	10	22	10	7.40	18	8.5	2
	25	CC 27025	39.6	37.5	23	10	28	10	11.09	21	12	2
	30	CC 27030	47.1	45.0	25	12	30	12	13.35	22.5	12	2.5
2	16	CC 28016	34.8	32.0	23.5	8	25.3	10	9.50	20.5	14	3
	20	CC 28020	42.8	40.0	25	12	32	10	10.78	22	12	3
	25	CC 28025	52.8	50.0	28	14	40	12	14.28	25	12.3	3
	30	CC 28030	62.8	60.0	30	16	50	12	17.78	27	12.8	3
2.5	16	CC 29016	43.5	40.0	28.1	10	30.3	12	11.90	25.1	15	3.5
	20	CC 29020	53.5	50.0	30.5	12	40	12	15.53	27	16	3.5
	25	CC 29025	66.0	62.5	33.5	15	50	15	19.48	30	16	3.5
	30	CC 29030	78.5	75.0	35.5	18	55	15	23.63	32	16	3.5
3	16	CC 30016	52.2	48.0	31.7	12	40.3	15	14.30	28	18	4
	20	CC 30020	64.2	60.0	35	18	45	15	16.00	31	13.6	4
	25	CC 30025	79.2	75.0	38	20	55	15	22.00	34	16	4
	30	CC 30030	94.2	90.0	40	22	60	20	28.0	36	17	4
3.5	16	CC 35016	60.9	56.0	36.4	14	45.3	15	16.60	32	20	4.5
	20	CC 35020	74.9	70.0	40.5	22	55	15	18.13	36	17	4.5
	25	CC 35025	92.4	87.5	43.5	26	65	20	23.97	39	18	4.5
	30	CC 35030	109.9	105.0	48	30	70	20	30.02	43.5	19	4.5
4	16	CC 31016	69.6	64.0	44.3	15	50.3	15	19.70	39.8	25	5
	20	CC 31020	85.6	80.0	43	25	60	18	20.74	38	18	5
	25	CC 31025	105.6	100.0	45	28	70	20	28.50	40	18	5
	30	CC 31030	125.6	120.0	48	32	80	25	35.67	43	16	5
4.5	16	CC 45016	78.3	72.0	46.3	18	55.3	18	21.70	41.3	25	6
	20	CC 45020	96.3	90.0	48	28	65	20	23.41	42	18	6
	25	CC 45025	118.8	112.5	50	32	75	20	31.76	44	18	6
	30	CC 45030	141.3	135.0	53	35	90	25	40.82	47	17	6
5	16	CC 32016	87.0	80.0	48.9	18	60.3	20	25.10	42.9	25	6.5
	20	CC 32020	107.1	100.0	50.5	30	70	20	26.86	44	18.5	6.5
	25	CC 32025	132.1	125.0	53.5	34	90	20	36.36	47	18	6.5
	30	CC 32030	157.1	150.0	56.5	38	110	30	45.97	50	18	6.5

