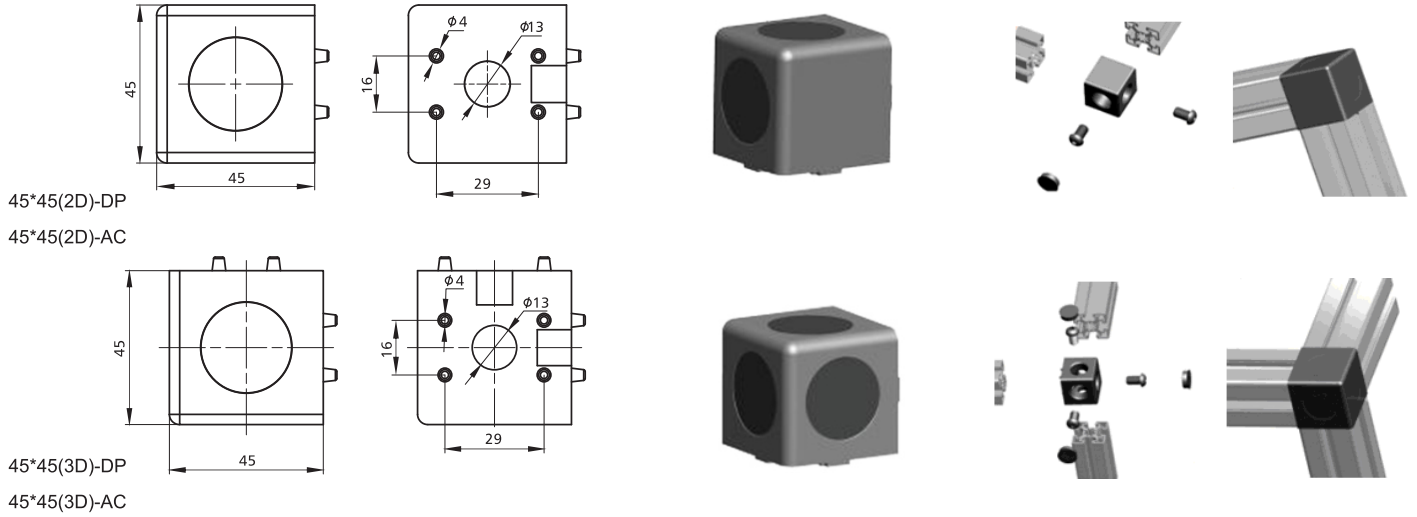


## Alu Profile Accessories/Connectors/2D-3D Connectors



For Profile	Item No.	Material	Finish	PCS/CTN	KGS/CTN	CTN SIZE (mm)
45*45(2D)	45*45(2D)-DP	Die-cast Alu.	Dull Polished	35	6.00	225*170*180
45*45(2D)	45*45(2D)-AC	Die-cast Alu.	Alu Color	35	6.00	225*170*180
45*45(3D)	45*45(3D)-DP	Die-cast Alu.	Dull Polished	35	5.25	225*170*180
45*45(3D)	45*45(3D)-AC	Die-cast Alu.	Alu Color	35	5.25	225*170*180

