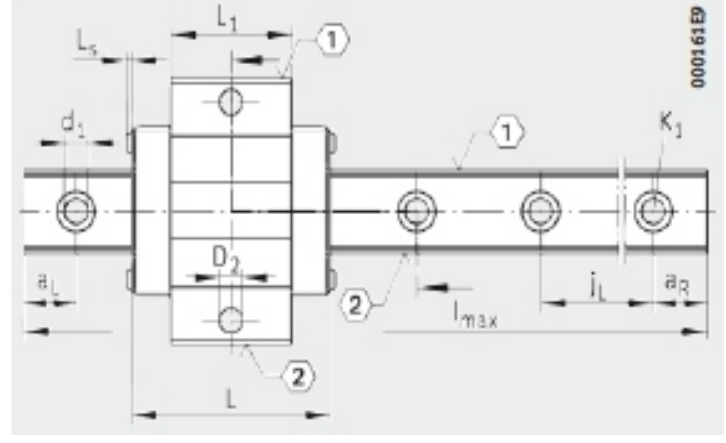
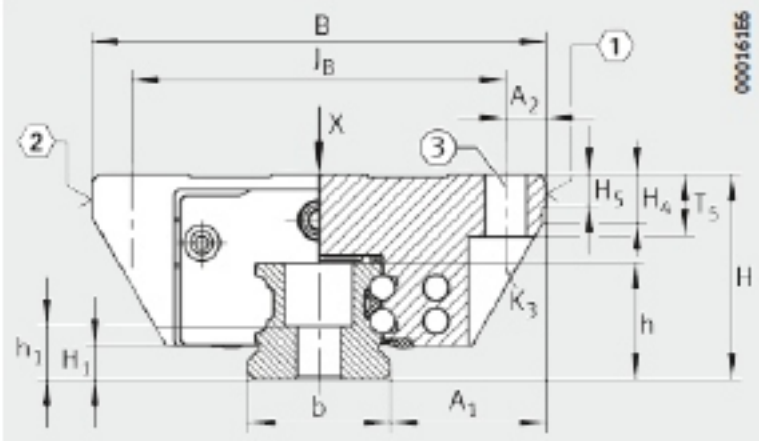


KWVE-B-EC SERIES



| Designation | H | B | L | JB | RAIL TYPE |
|-------------|----|-----|------|-----|-----------|
| KWVE15-B-EC | 24 | 52 | 42.9 | 41 | TKVD15 |
| KWVE20-B-EC | 28 | 59 | 48.8 | 49 | TKVD20 |
| KWVE25-B-EC | 33 | 73 | 56.6 | 60 | TKVD25 |
| KWVE30-B-EC | 42 | 90 | 67.4 | 72 | TKVD30 |
| KWVE35-B-EC | 48 | 100 | 74.6 | 82 | TKVD35 |
| KWVE45-B-EC | 60 | 120 | 96.2 | 100 | TKVD45 |

