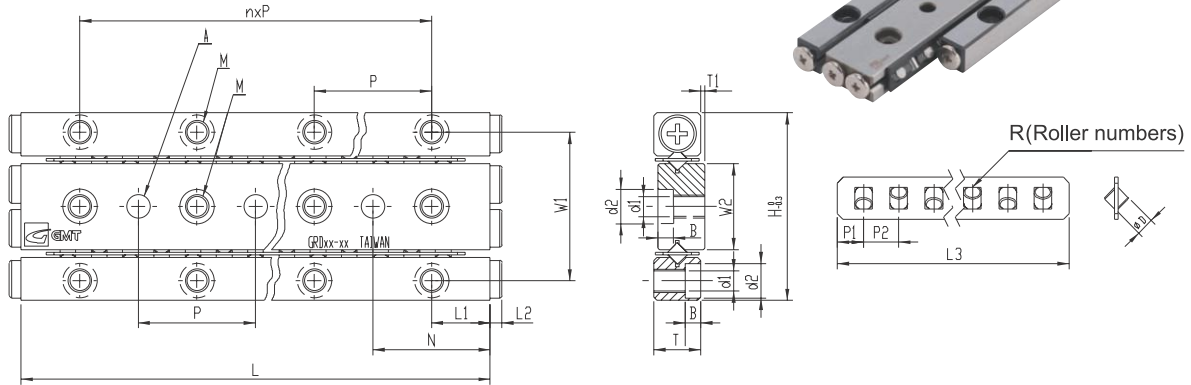


Linear Motion Component ◉ Guides & Bearings ◉ Silde Rail Set

GRDP



Model No.	Max. Stroke (mm)	Main Dimensions (mm)									Retainer Dimensions (mm)				
		H	T	L	n*p	W1	W2	L1	L2	N	ØD	L3	R	P1	P2
GRDP01-20	13	17	4	20	1*10	13.4	7.8	5	1.3	10	Ø1.5	15.8	5	1.9	3
GRDP01-30	21			30	2*10							21.8	7		
GRDP01-40	29			40	3*10							27.8	9		
GRDP01-50	37			50	4*10							33.8	11		
GRDP01-60	45			60	5*10							39.8	13		
GRDP01-70	53			70	6*10							45.8	15		
GRDP01-80	61			80	7*10							51.8	17		
GRDP02-30	24			24	6							30	1*15		
GRDP02-45	30	45	2*15			33.6	8								
GRDP02-60	44	60	3*15			41.6	10								
GRDP02-75	58	75	4*15			49.6	12								
GRDP02-90	72	90	5*15			57.6	14								
GRDP02-105	86	105	6*15			65.6	16								
GRDP02-120	100	120	7*15			73.6	18								
GRDP02-135	106	135	8*15			85.6	21								
GRDP02-150	120	150	9*15			93.6	23								
GRDP02-165	134	165	10*15			101.6	25								
GRDP02-180	148	180	11*15	109.6	27										
GRDP03-50	34	36	8	50	1*25	29	16.6	12.5	2	2.5	Ø3	36.4	7	3.2	5
GRDP03-75	54			75	2*25							51.4	10		
GRDP03-100	74			100	3*25							66.4	13		
GRDP03-125	104			125	4*25							76.4	15		
GRDP03-150	124			150	5*25							91.4	18		
GRDP03-175	144			175	6*25							106.4	21		
GRDP03-200	164			200	7*25							121.4	24		
GRDP03-225	184			225	8*25							136.4	27		
GRDP03-250	204			250	9*25							151.4	30		
GRDP03-275	224			275	10*25							166.4	33		
GRDP03-300	244	300	11*25	181.4	36										
GRDP04-80	54	44	11	80	1*40	35	20	20	2	40	Ø4	57.6	8	4.3	7
GRDP04-120	92			120	2*40							78.6	11		
GRDP04-160	130			160	3*40							99.6	14		
GRDP04-200	154			200	4*40							127.6	18		
GRDP04-240	192			240	5*40							148.6	21		
GRDP04-280	230			280	6*40							169.6	24		
GRDP04-320	254			320	7*40							197.6	28		
GRDP04-360	292			360	8*40							218.6	31		
GRDP04-400	330			400	9*40							239.6	34		
GRDP04-440	354			440	10*40							267.6	38		
GRDP04-480	392	480	11*40	288.6	41										

Ordering Example :	GR Roller	D D rail	P POM Retainer	03 Roller dia.	75 Rail length	P Precision Level
--------------------	--------------	-------------	-------------------	-------------------	-------------------	----------------------

Linear Motion Component ► Guides & Bearings ► Silde Rail Set

GRDP

Material Specification



Material / Component / Model No.	Rail	Roller	Retainer
GRDP	SUJ2		POM

Mounting Dimensions (mm)						Load Per Roller			Weight (g) / 2 Pieces
T1	M	d1	d2	A	B	Basic Dynamic Load Rating	Basic Static Load Rating	Allowable Load	Standard
0.5	M2	1.65	3	$2^{+0.010}_0$	1.4	125N/1pcs	144N/1pcs	48N/1pcs	9
									13
									17
									20
									24
									29
0.5	M3	2.55	4.4	$3^{+0.010}_0$	2	293N/1pcs	292N/1pcs	97N/1pcs	33
									27
									40
									53
									66
									78
									91
									104
									117
									130
0.5	M4	3.3	6	$4^{+0.012}_0$	3.1	638N/1pcs	761N/1pcs	254N/1pcs	142
									155
									94
									139
									183
									228
									273
									317
									362
									406
0.5	M5	4.3	7.5	$5^{+0.012}_0$	4.1	1230N/1pcs	1170N/1pcs	390N/1pcs	451
									496
									540
									248
									366
									484
									602
									722
									840
									959
0.5	M5	4.3	7.5	$5^{+0.012}_0$	4.1	1230N/1pcs	1170N/1pcs	390N/1pcs	1079
									1197
									1316
									1434