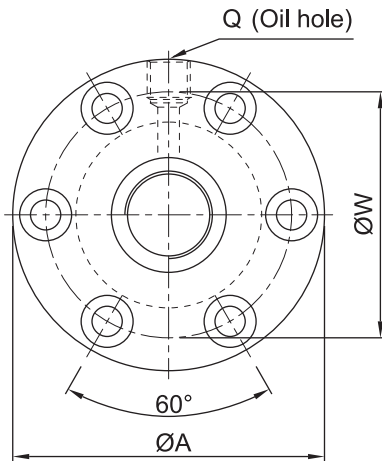
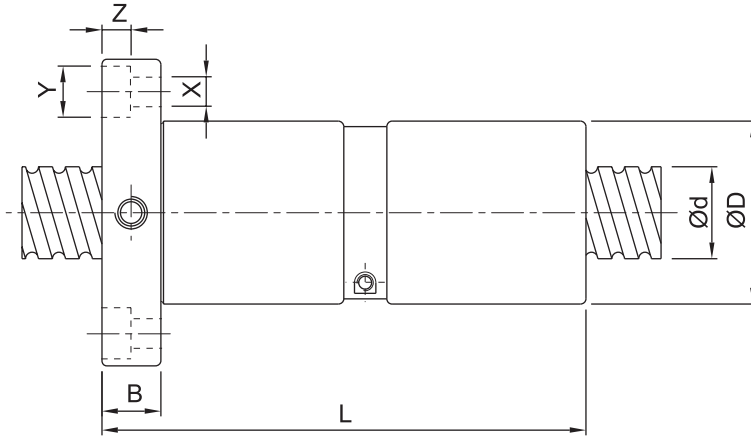


## DFM Series Specifications (Design for Milling)

کاتالوگ ۲۰۱۷



I: Lead    Da: Ball Dia.    n: Number of Circuits    K: Stiffness (Kgf/μm)

Ca: Basic Dynamic Rating Load (Kgf)    Coa: Basic Static Rating Load(Kgf)

Unit: mm

Model No.	d	I	Da	Dimension											Ca (kgf)	Coa (kgf)	K kgf/ μm
				D	A	B	L	W	H	X	Y	Z	Q	n			
★ DFM03205-4	32	5	3.175	48	74	12	102	60	60	6.5	11	6.5	M8	1x4	1922	6343	73
★ DFM0325T-4		5.08	3.175	48	74	12	104	60	60	6.5	11	6.5	M8	1x4	1922	6343	73

Note : For double ball screw nut order, please contact **TBIMOTION** in advance.

※★Left helix available

