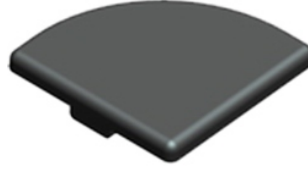
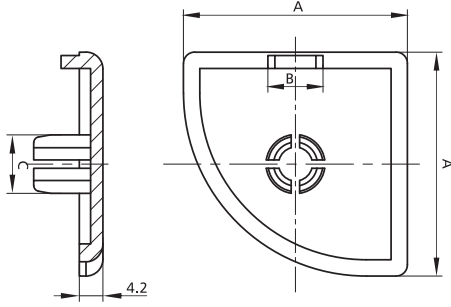




## Alu Profile Accessories/End Caps



Slot	Item No.	Spec.	A	B	C	Material	Finish	PCS/CTN	KGS/CTN	CTN SIZE (mm)
	3027-40R	40R	40	9.8	Φ10.5	Nylon	Black	500	3.5	300*240*200
	3027-45R	45R	45	9.8	Φ10.5	Nylon	Black	500	3.9	300*240*200

