

Pneumatic Toggle Clamps - Flange Mounting Body

6015

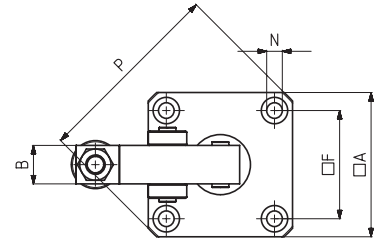
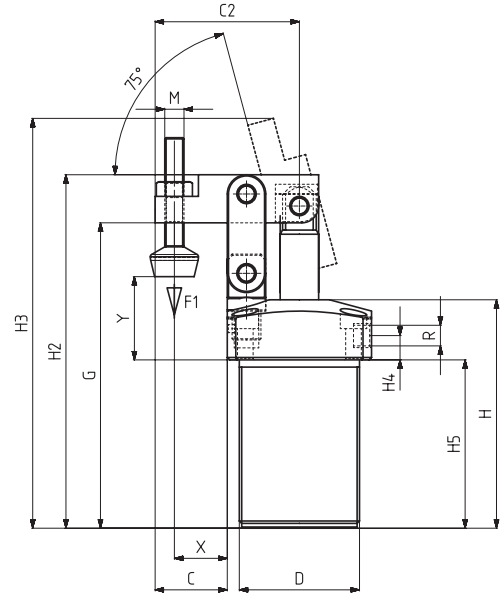


MODEL NO	F1 (N)	Vn (dm ³)	BASKI VIDASI (SQUEEZE SCREW)	(WEIGHT) (gr)	BAR
6015 - 25	200	0,13	M6 x 40	600	6
6015 - 32	300	0,25	M8 x 50	950	6
6015 - 40	500	0,46	M8 x 50	1100	6
6015 - 50	700	0,79	M12 x 80	1707	6

F1 : BASKI KUUVETI (EXERTING FORCE)

Vn , 6 BAR BASINÇTA ÇİFT HAREKET İÇİN HAVA TÜKETİM MİKTARIDIR (Vn , AIR CONSUMPTION PER DOUBLE STROKE IN dm³ AT 6 BAR)

Note: Operate only with filtered and lubricated air.



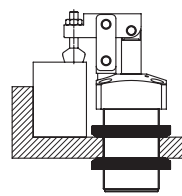
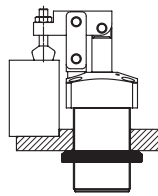
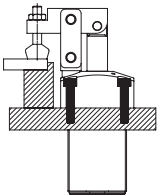
PNEUMATIC TOGGLE CLAMP - FLANGE MOUNTING BODY

- Cylinder is double acting.
- The body is made of strength aluminum.
- Anodised for Corrosion resistance.
- The piston rod is hard chrome plated and shapely polished for to high wear resistance and corrosion resistance.
- Parts of the mechanism are made of steel and phosphate coated for corrosion resistance.

Accessories : (not included in the price)

- 1-) Connection nut (6010-3)
- 2-) Connection flange (6010-4)
- 3-) Squeeze part (911,912,913,914,915,916)

Mounting options



1- Mounting from above with imbus bolt through the flange. (DIN 912)

2- By screwing the body into a tapped hole and mounting with connection nut (6010-3)

3- By inserting the body into a plain hole and mounting with connection nuts, from above and from below (6010-3)

MODEL NO	A	B	C	C2	D	F	G	H	H2	H3	H4	H5	M	ØN	P	R	X	Y Min	Y Max	PISTON Ø
6015 - 25	50	16	25	50	M 40 x 1,5	37	114	87	134	148	12	62	M6	5,5	66	M5	16	20	39	25
6015 - 32	60	16	30	60	M 50 x 1,5	45	132	100	152	172	10	73	M8	6,5	80	G1/8	22	19	46	32
6015 - 40	65	16	35,5	68	M 55 x 1,5	50	132	100	156	181	10	73	M8	6,5	85	G1/8	23,5	22	47	40
6015 - 50	75	20	41,5	79	M 65 x 1,5	58	146	106	176	202	11	79	M12	8,5	100	G1/8	26	2	45	50



تلفن : (021) 33913364 - 33951660

فکس : (021) 33985603