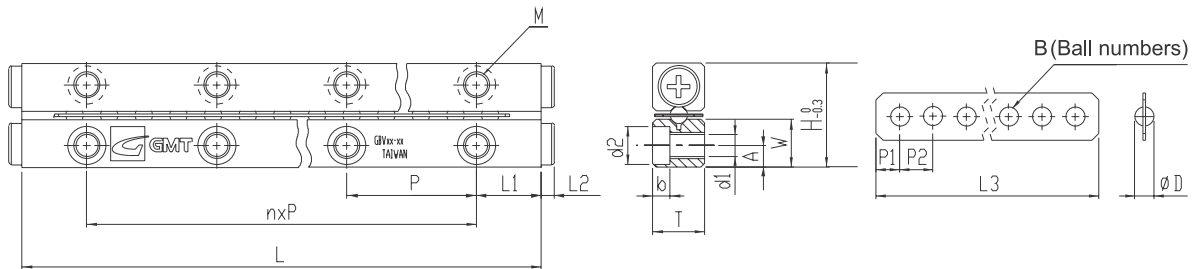


Linear Motion Component ► Guides & Bearings ► Slide Rail Set

GBV



Model No.	Max. Stroke (mm)	Main Dimensions (mm)							Retainer Dimensions (mm)				
		H	T	W	L	n*p	L1	L2	ØD	L3	B	P1	P2
GBV01-20	13	8.5	4	3.9	20	1*10	5	1.3	Ø1.5	15.5	5	1.75	3
GBV01-30	21				30	2*10				21.5	7		
GBV01-40	29				40	3*10				27.5	9		
GBV01-50	37				50	4*10				33.5	11		
GBV01-60	45				60	5*10				39.5	13		
GBV01-70	53				70	6*10				45.5	15		
GBV01-80	61				80	7*10				51.5	17		
GBV02-30	24	12	6	5.5	30	1*15	7.5	1.5	Ø2	20.6	5	2.3	4
GBV02-45	30				45	2*15				32.6	8		
GBV02-60	44				60	3*15				40.6	10		
GBV02-75	58				75	4*15				48.6	12		
GBV02-90	72				90	5*15				56.6	14		
GBV02-105	86				105	6*15				64.6	16		
GBV02-120	100				120	7*15				72.6	18		
GBV02-135	106				135	8*15				84.6	21		
GBV02-150	120				150	9*15				92.6	23		
GBV02-165	134				165	10*15				100.6	25		
GBV02-180	148				180	11*15				108.6	27		

Ordering Example :	GB Ball	V V rail	01 Ball dia.	40 Rail length	P Precision Level
--------------------	------------	-------------	-----------------	-------------------	----------------------

Linear Motion Component ► Guides & Bearings ► Silde Rail Set

GBV



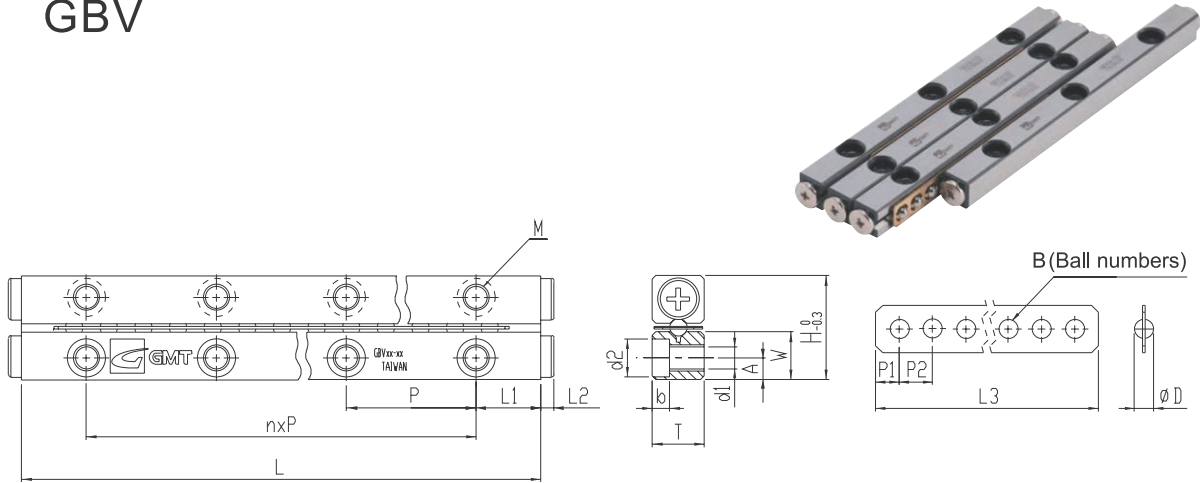
Material Specification

Material Model No.	Component	Rail	Ball Bearing	Retainer
GBV		SUJ2		Phosphor bronze (C5191)

Mounting Dimensions (mm)					Load Per Ball Bearing			Weight (g) / 2 Pieces
A	M	d1	d2	b	Basic Dynamic Load Rating	Basic Static Load Rating	Allowable Load	Standard
1.8	M2	1.65	3	1.4	7.6N/1pcs	21N/1pcs	7.0N/1pcs	4
								6
								8
								10
								12
								14
								16
2.5	M3	2.55	4.4	2	12N/1pcs	37N/1pcs	12.3N/1pcs	13
								20
								26
								32
								39
								45
								51
								58
64								
70								
77								

Linear Motion Component ◀ Guides & Bearings ▶ Silde Rail Set

GBV



Model No.	Max. Stroke (mm)	Main Dimensions (mm)							Retainer Dimensions (mm)				
		H	T	W	L	n*p	L1	L2	ØD	L3	B	P1	P2
GBV03-50	34	18	8	8.3	50	1*25	12.5	2	Ø3	35.7	7	2.86	5
GBV03-75	54				75	2*25				50.7	10		
GBV03-100	74				100	3*25				65.7	13		
GBV03-125	104				125	4*25				75.7	15		
GBV03-150	124				150	5*25				90.7	18		
GBV03-175	144				175	6*25				105.7	21		
GBV03-200	164				200	7*25				120.7	24		
GBV03-225	184				225	8*25				135.7	27		
GBV03-250	204				250	9*25				150.7	30		
GBV03-275	224				275	10*25				165.7	33		
GBV03-300	244				300	11*25				180.7	36		
GBV04-80	54	22	11	10	80	1*40	20	2	Ø4	56.8	8	3.9	7
GBV04-120	92				120	2*40				77.8	11		
GBV04-160	130				160	3*40				98.8	14		
GBV04-200	154				200	4*40				126.8	18		
GBV04-240	192				240	5*40				147.8	21		
GBV04-280	230				280	6*40				168.8	24		
GBV04-320	254				320	7*40				196.8	28		
GBV04-360	292				360	8*40				217.8	31		
GBV04-400	330				400	9*40				238.8	34		
GBV04-440	354				440	10*40				266.8	38		
GBV04-480	392				480	11*40				287.8	41		

Ordering Example :	GB	V	03	75	P
	Ball	V rail	Ball dia.	Rail length	Precision Level

Linear Motion Component ► Guides & Bearings ► Silde Rail Set

GBV



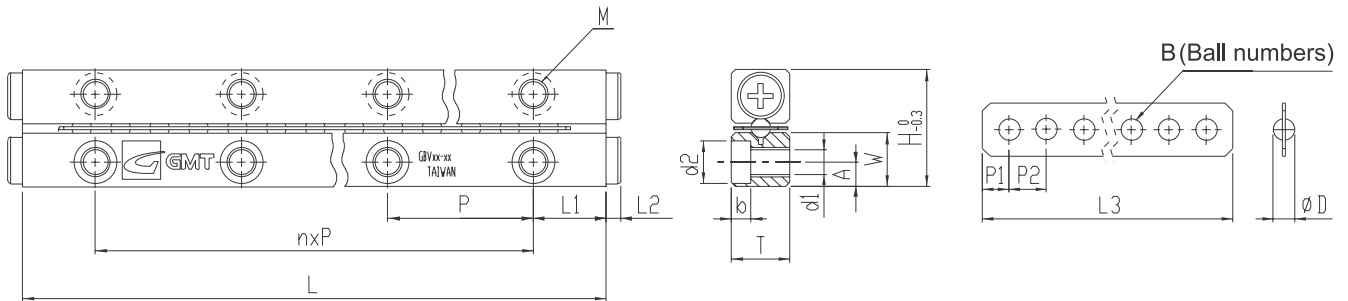
Material Specification

Material Component Model No.	Rail	Ball Bearing	Retainer
GBV	SUJ2		Phosphor bronze (C5191)

Mounting Dimensions (mm)					Load Per Ball Bearing			Weight (g) / 2 Pieces
A	M	d1	d2	b	Basic Dynamic Load Rating	Basic Static Load Rating	Allowable Load	Standard
3.5	M4	3.3	6	3.1	26.5N/1pcs	84N/1pcs	28N/1pcs	46
								68
								90
								112
								134
								156
								178
								200
								222
								244
4.5	M5	4.3	7.5	4.1	43N/1pcs	148N/1pcs	49.3N/1pcs	266
								121
								179
								237
								295
								353
								411
								470
								528
								586
645								
703								

Linear Motion Component ► Guides & Bearings ► Silde Rail Set

GBV



Specification

Model No.	Max. Stroke (mm)	Main Dimensions (mm)							Retainer Dimensions (mm)				
		H	T	W	L	n*p	L1	L2	ØD	L3	B	P1	P2
GBV06-100	80	31	15	14	100	1*50	25	2	6	63.6	7	4.8	9
GBV06-150	108				150	2*50				99.6	11		
GBV06-200	154				200	3*50				126.6	14		
GBV06-250	200				250	4*50				153.6	17		
GBV06-300	246				300	5*50				180.6	20		
GBV06-350	274				350	6*50				216.6	24		
GBV06-400	320				400	7*50				243.6	27		
GBV06-450	366				450	8*50				270.6	30		
GBV06-500	412				500	9*50				297.6	33		
GBV06-550	458				550	10*50				324.6	36		
GBV06-600	486				600	11*50				360.6	40		

Ordering Example :	GB Ball	-	V V rail	-	06 Ball dia.	-	200 Rail length	-	P Precision Level
--------------------	------------	---	-------------	---	-----------------	---	--------------------	---	----------------------

Linear Motion Component ► Guides & Bearings ► Silde Rail Set

GBV



Material specification

Material Model No.	Component		
	Rail	Ball Bearing	Retainer
GBV	SUJ2		Phosphor bronze (C5191)

Mounting Dimensions (mm)					Load Per Ball Bearing			Weight (g) / 2 Pieces
A	M	d1	d2	b	Basic Dynamic Load Rating	Basic Static Load Rating	Allowable Load	Standard
6	M6	5.3	9.5	5.2	92N/1pcs	330N/1pcs	110N/1pcs	287
								429
								571
								712
								852
								993
								1135
								1275
								1417
								1558
1250								