

## Pneumatic Swing Clamps - Round Body

6013

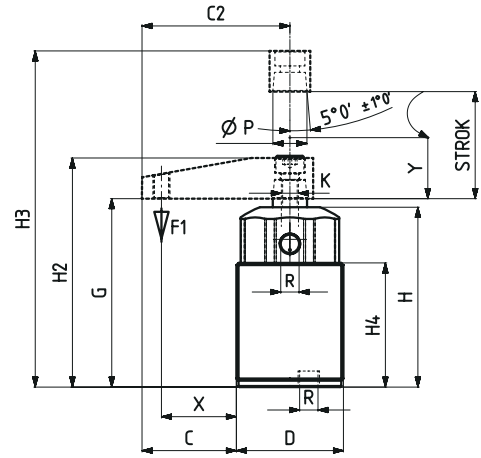


| MODEL NO   | F1 (N) | Vn (dm <sup>3</sup> ) | STROK | (WEIGHT) (gr) | BAR |
|------------|--------|-----------------------|-------|---------------|-----|
| 6013 - 25R | 170    | 0,14                  | 28    | 300           | 6   |
| 6013 - 25L | 170    | 0,14                  | 28    | 300           | 6   |
| 6013 - 32R | 270    | 0,28                  | 30    | 480           | 6   |
| 6013 - 32L | 270    | 0,28                  | 30    | 480           | 6   |
| 6013 - 40R | 450    | 0,47                  | 30    | 560           | 6   |
| 6013 - 40L | 450    | 0,47                  | 30    | 560           | 6   |
| 6013 - 50R | 700    | 0,74                  | 36    | 1000          | 6   |
| 6013 - 50L | 700    | 0,74                  | 36    | 1000          | 6   |

F1 : BASKI KUVVETİ ( EXERTING FORCE )

Vn , 6 BAR BASINÇTA ÇİFT HAREKET İÇİN HAVA TÜKETİM MİKTARIDIR ( Vn , AIR CONSUMPTION PER DOUBLE STROKE IN dm<sup>3</sup> AT 6 BAR )

Note: Operate only with filtered and lubricated air.



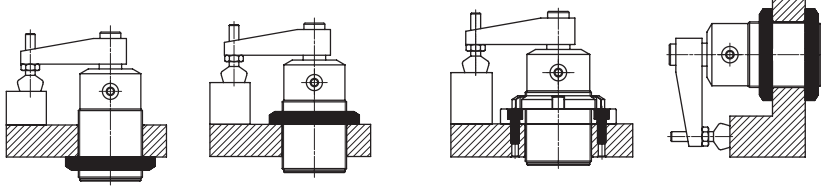
### PNEUMATIC SWING CLAMP - ROUND BODY

- Cylinder is double actin.
- The body is made of strength aluminum. Anodised for Corrosion resistance.
- The piston rod is hard chrome plated and shapely polished for to high wear resistance and corrosion resistance.

Accessories : ( not included in the price )

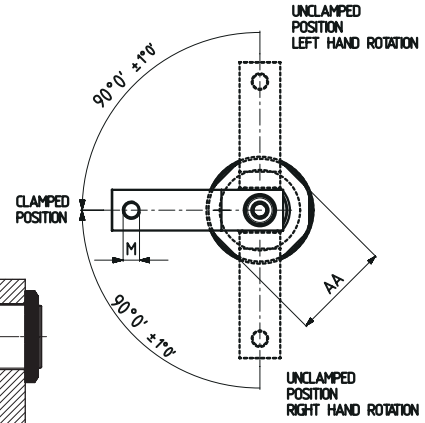
- 1-) Squeezing arm ( 6010-1 )
- 2-) Squeezing arm ( 6010-7 )
- 3-) Connection nut ( 6010-3 )
- 4-) Connection flange ( 6010-4 )
- 5-) Squeeze part ( 911,912,913,914,915,916 )

### Mounting options



1- Mounting with connection nut

2- Mounting with connection flange



| MODEL NO   | AA | C    | C2 | D          | G   | H  | H2  | H3  | H4 | K   | M   | P  | R    | X    | Y  | PİSTON Ø |
|------------|----|------|----|------------|-----|----|-----|-----|----|-----|-----|----|------|------|----|----------|
| 6013 - 25R | 36 | 36   | 56 | M 40 x 1,5 | 78  | 74 | 94  | 122 | 50 | M8  | M6  | 14 | M5   | 30   | 12 | 25       |
| 6013 - 25L | 36 | 36   | 56 | M 40 x 1,5 | 78  | 74 | 94  | 122 | 50 | M8  | M6  | 14 | M5   | 30   | 12 | 25       |
| 6013 - 32R | 46 | 45   | 70 | M 50 x 1,5 | 89  | 84 | 109 | 139 | 58 | M8  | M8  | 16 | G1/8 | 35   | 12 | 32       |
| 6013 - 32L | 46 | 45   | 70 | M 50 x 1,5 | 89  | 84 | 109 | 139 | 58 | M8  | M8  | 16 | G1/8 | 35   | 12 | 32       |
| 6013 - 40R | 50 | 52,5 | 80 | M 55 x 1,5 | 89  | 84 | 109 | 139 | 58 | M8  | M8  | 16 | G1/8 | 42,5 | 12 | 40       |
| 6013 - 40L | 50 | 52,5 | 80 | M 55 x 1,5 | 89  | 84 | 109 | 139 | 58 | M8  | M8  | 16 | G1/8 | 42,5 | 12 | 40       |
| 6013 - 50R | 60 | 57,5 | 90 | M 65 x 1,5 | 103 | 97 | 128 | 164 | 70 | M10 | M12 | 20 | G1/8 | 47,5 | 15 | 50       |
| 6013 - 50L | 60 | 57,5 | 90 | M 65 x 1,5 | 103 | 97 | 128 | 164 | 70 | M10 | M12 | 20 | G1/8 | 47,5 | 15 | 50       |

Note: Swing clamps can squeezing only during the "Y" stroke.



تلفن : (021) 33913364 - 33951660

فکس : (021) 33985603