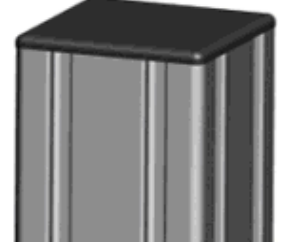
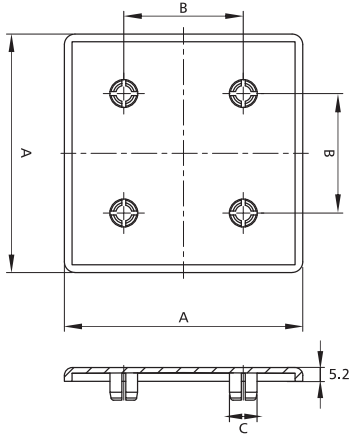





Alu Profile Accessories/End Caps



Slot	Item No.	Spec.	A	B	C	Material	Finish	PCS/CTN	KGS/CTN	CTN SIZE (mm)
	3027-4K-80	80*80	80	40	Φ10.5	Nylon	Black	50	1.47	225*170*180
 NEW	3027-4K-80-7	80*80	80	40	Φ7.2	Nylon	Black	50	1.47	225*170*180
	3027-4K-90	90*90	90	45	Φ10.5	Nylon	Black	50	1.80	225*170*180

