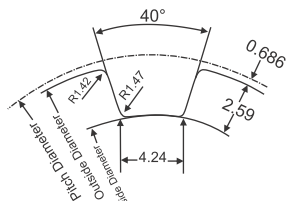
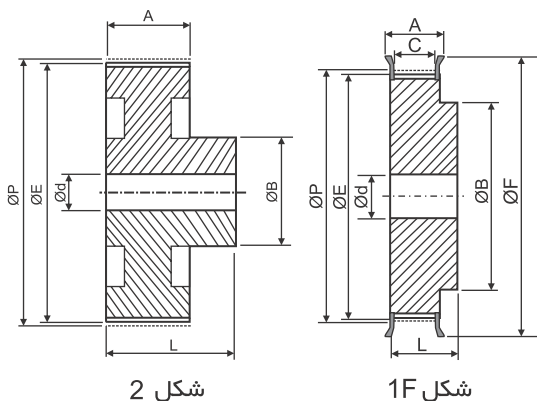
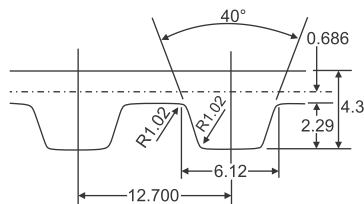


H075 Series



فرم دندانه



فرم تسمه



H075 با گام ۱۲.۷ میلی‌متر برای تسمه با پهنای ۱۹ میلی‌متر

Unit : mm

Part No.	Teeth No.	Fig.	ØP	ØE	ØF	A	C	L	ØB	Ød	Flange	Material
14-H075	14	1F	56.60	55.23	63.0	26	22	40	40	14	With Flanges	Aluminium
15-H075	15	1F	60.64	59.27	66.5	26	22	40	45	14		
16-H075	16	1F	64.68	63.31	69.5	26	22	40	45	14		
17-H075	17	1F	68.72	67.35	74.5	26	22	40	45	14		
18-H075	18	1F	72.77	71.40	79.5	26	22	40	55	14		
19-H075	19	1F	76.81	75.44	82.5	26	22	40	50	14		
20-H075	20	1F	80.85	79.48	86.0	26	22	40	60	14		
21-H075	21	1F	84.89	83.52	90.5	26	22	40	65	14		
22-H075	22	1F	88.94	87.57	95.5	26	22	40	68	14		
23-H075	23	1F	92.98	91.61	98.5	26	22	40	72	14		
24-H075	24	1F	97.02	95.65	103.5	26	22	40	72	14		
25-H075	25	1F	101.06	99.69	105.0	26	22	40	72	14		
26-H075	26	1F	105.11	103.74	111.0	26	22	40	80	14		
27-H075	27	1F	109.15	107.78	114.5	26	22	40	80	14		
28-H075	28	1F	113.19	111.82	119.0	26	22	40	80	14		
29-H075	29	1F	117.23	115.86	127.0	26	22	40	80	14		
30-H075	30	1F	121.28	119.91	127.0	26	22	40	80	14		
32-H075	32	1F	129.36	127.99	135.0	26	22	40	80	14		
33-H075	33	1F	133.40	132.03	140.0	26	22	40	80	14		
34-H075	34	1F	137.45	136.08	140.0	26	22	40	80	14		
35-H075	35	1F	141.49	140.12	151.0	26	22	40	80	14		
36-H075	36	1F	145.53	144.16	151.0	26	22	40	80	14		
38-H075	38	1F	153.62	152.25	160.0	26	21	40	80	14		
40-H075	40	1F	161.70	160.33	169.0	26	21	40	80	14		
44-H075	44	1F	177.87	176.50	183.0	26	21	37	100	14		
45-H075	45	1F	181.91	180.54	189.0	26	21	37	110	14		
48-H075	48	1F	194.04	192.67	200.0	26	21	37	110	14		
49-H075	49	2	198.08	196.71	-	26	-	40	110	14		
50-H075	50	2	202.13	200.76	-	26	-	40	110	14		

فروشنده حق تغییرات مشخصات فنی و ابعاد را بدون اطلاع قبلی دارد

