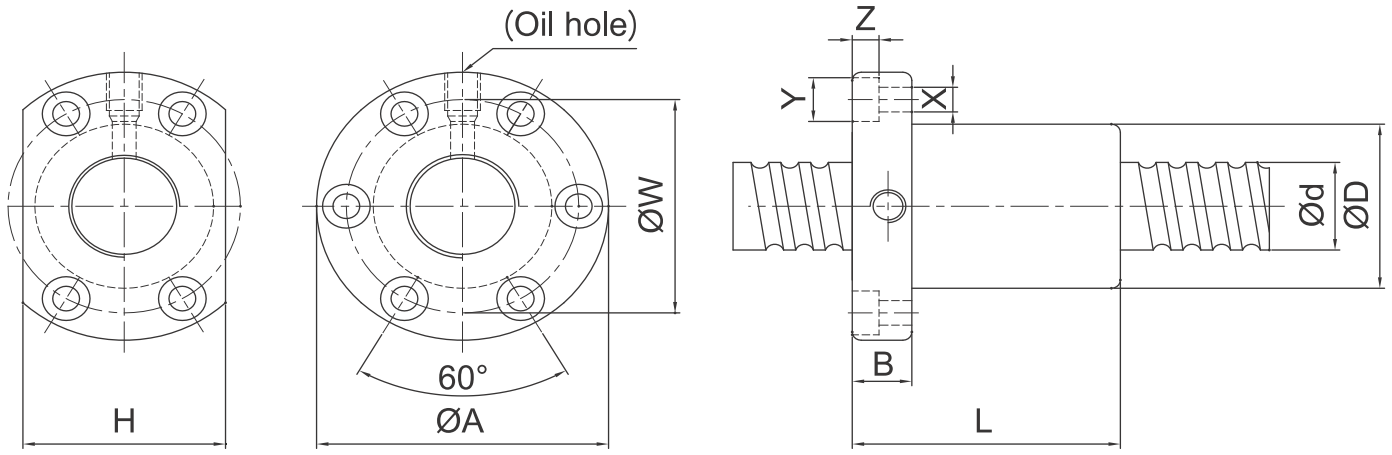


## SFNI/SFI Series Specifications



Unit:mm

| Model No.   | d  | l    | Da    | Dimension |     |    |    |     |     |     |      |     |    |     | Load Rating |              | K<br>kgf/<br>µm |
|-------------|----|------|-------|-----------|-----|----|----|-----|-----|-----|------|-----|----|-----|-------------|--------------|-----------------|
|             |    |      |       | D         | A   | B  | L  | W   | H   | X   | Y    | Z   | Q  | n   | Ca<br>(kgf) | Coa<br>(kgf) |                 |
| SFNI01605-4 | 16 | 5    | 3.175 | 30        | 49  | 10 | 45 | 39  | 34  | 4.5 | 8    | 4.5 | M6 | 1x4 | 1380        | 3052         | 33              |
| SFNI01610-3 |    | 10   | 3.175 | 34        | 58  | 10 | 57 | 45  | 34  | 5.5 | 9.5  | 5.5 | M6 | 1x3 | 1103        | 2401         | 27              |
| SFNI02005-4 | 20 | 5    | 3.175 | 34        | 57  | 11 | 51 | 45  | 40  | 5.5 | 9.5  | 5.5 | M6 | 1x4 | 1551        | 3875         | 39              |
| SFNI02505-4 | 25 | 5    | 3.175 | 40        | 63  | 11 | 51 | 51  | 46  | 5.5 | 9.5  | 5.5 | M8 | 1x4 | 1724        | 4904         | 45              |
| SFNI02510-4 |    | 10   | 4.762 | 46        | 72  | 12 | 80 | 58  | 52  | 6.5 | 11   | 6.5 | M6 | 1x4 | 2954        | 7295         | 51              |
| SFNI03205-4 | 32 | 5    | 3.175 | 46        | 72  | 12 | 52 | 58  | 52  | 6.5 | 11   | 6.5 | M8 | 1x4 | 1922        | 6343         | 52              |
| SFNI03210-4 |    | 10   | 6.35  | 54        | 88  | 15 | 85 | 70  | 62  | 9   | 14   | 8.5 | M8 | 1x4 | 4805        | 12208        | 62              |
| SFNI04005-4 | 40 | 5    | 3.175 | 56        | 90  | 15 | 55 | 72  | 64  | 9   | 14   | 8.5 | M8 | 1x4 | 2110        | 7988         | 59              |
| SFNI04010-4 |    | 10   | 6.35  | 62        | 104 | 18 | 88 | 82  | 70  | 11  | 17.5 | 11  | M8 | 1x4 | 5399        | 15500        | 72              |
| SFNI05010-4 | 50 | 10   | 6.35  | 72        | 114 | 18 | 88 | 92  | 82  | 11  | 17.5 | 11  | M8 | 1x4 | 6004        | 19614        | 83              |
| SFNI06310-4 | 63 | 10   | 6.35  | 85        | 131 | 22 | 93 | 107 | 95  | 14  | 20   | 13  | M8 | 1x4 | 6719        | 25358        | 95              |
| SFNI08010-4 | 80 | 10   | 6.35  | 105       | 150 | 22 | 93 | 127 | 115 | 14  | 20   | 13  | M8 | 1x4 | 7346        | 31953        | 109             |
| SFI01604-4  | 16 | 4    | 2.381 | 30        | 49  | 10 | 45 | 39  | 34  | 4.5 | 8    | 4.5 | M6 | 1x4 | 973         | 2406         | 32              |
| SFI02004-4  | 20 | 4    | 2.381 | 34        | 57  | 11 | 46 | 45  | 40  | 5.5 | 9.5  | 5.5 | M6 | 1x4 | 1066        | 2987         | 37              |
| SFI0205T-4  |    | 5.08 | 3.175 | 34        | 57  | 11 | 51 | 45  | 40  | 5.5 | 9.5  | 5.5 | M6 | 1x4 | 1550        | 3875         | 39              |
| SFI02504-4  | 25 | 4    | 2.381 | 40        | 63  | 11 | 46 | 51  | 46  | 5.5 | 9.5  | 5.5 | M6 | 1x4 | 1180        | 3795         | 43              |
| SFI0255T-4  |    | 5.08 | 3.175 | 40        | 63  | 11 | 51 | 51  | 46  | 5.5 | 9.5  | 5.5 | M8 | 1x4 | 1724        | 4904         | 45              |
| SFI03204-4  | 32 | 4    | 2.381 | 46        | 72  | 12 | 47 | 58  | 52  | 6.5 | 11   | 6.5 | M6 | 1x4 | 1296        | 4838         | 49              |

