

Model	Matching Drivers
20CM003	EM3E-522 / EM415S
20CM005	EM3E-522 / EM415S
28CM006	EM3E-522 / EM415S
28CM010	EM3E-522 / EM415S
28CM013	EM3E-522 / EM415S
35CM015	EM3E-522 / EM415S
35CM04	EM3E-522 / EM415S
42CM02	EM3E-522 / EM415S / EM542S / Em402 / Dm422
42CM02-1A	EM3E-522 / EM415S / EM542S / Em402 / Dm422
42CM04	EM3E-522 / EM415S / EM542S / Em402 / Dm422
42CM04-1A	EM3E-522 / EM415S / EM542S / Em402 / Dm422
42CM06	EM3E-522 / EM3E-542 / EM542S / Mx3660 / Mx4660 / Em402 / Em503 / Dm422 / Dm556
42CM06-1A	EM3E-522 / EM3E-542 / EM415S / EM542S / Em402 / Dm422
42CM08	EM3E-522 / EM3E-542 / EM542S / Mx3660 / Mx4660 / Em402 / Em503 / Dm422 / Dm556
42CM08-1A	EM3E-522 / EM3E-542 / EM415S / EM542S / Em402 / Dm422
57CM06	EM3E-542/EM3E-556/EM542S/EM556S/Mx3660/Mx4660/Em503/Dm556/Dm856/DM805-AI
57CM13	EM3E-542/EM3E-556/EM542S/EM556S/MX3660/MX4660/DM556/DM856/DM805-AI
57CM13-3A	EM3E-542/EM3E-556/EM542S/EM556S/MX3660/MX4660/EM503/EM705/DM556/DM856/DM870/DM805-AI
57CM23	EM3E-556/EM3E-870/EM556S/MX3660/MX4660/EM705/DM556/DM856/DM870/DM805-AI
57CM23-3A	EM3E-542/EM3E-556/EM542S/EM556S/MX3660/MX4660/EM503/EM705/DM556/DM856/DM870/DM805-AI
57CM23-4A	EM3E-556/EM3E-870/EM556S/MX3660/MX4660/EM705/DM556/DM856/DM870/DM805-AI
57CM23-4A-0-I6	EM3E-556/EM3E-870/EM556S/MX3660/MX4660/EM705/DM556/DM856/DM870/DM805-AI
57CM26	EM3E-556/EM3E-870/EM556S/MX3660/MX4660/EM705/DM556/DM856/DM870/DM805-AI
57CM26-4A	EM3E-556/EM3E-870/EM556S/MX3660/MX4660/EM705/DM556/DM856/DM870/DM805-AI
57-CM26-4A-0-I6	EM3E-556/EM3E-870/EM556S/MX3660/MX4660/EM705/DM556/DM856/DM870/DM805-AI
D57CM21	E,3E-556/EM3E-870/EM556S/MX3660/MX4660/EM705/EM806/DM856/DM805-AI
D57CM21-4A	EM3E-556/EM3E-870/EM556S/MX3660/MX4660/EM503/EM705/EM806/DM556/DM856/DM870/DM805-AI



Model	Matching Drivers
D57CM31	EM3-556/EM3E-870/EM556S/MX3660/MX4660/EM705/EM806/DM856/DM805-AI
D57CM31-4A	EM3E-556/EM3E-870/EM556S/MX3660/MX4660/EM503/EM705/EM806/DM556/DM856/DM870/DM805-AI
D57CM31-4A-0-I9	EM3E-556/EM3E-870/EM556S/MX3660/MX4660/EM503/EM705/EM806/DM556/DM856/DM870/DM805-AI
60CM22X	EM3E-556/EM3E-870/EM556S/MX3660/MX4660/EM705/EM806/DM556/DM856/DM870/DM805-AI
60CM30X	EM3E-556/EM3E-870/EM556S/MX3660/MX4660/EM705/EM806/DM556/DM856/DM870/DM805-AI
86CM35	EM3E-556/EM3E-870/EM556S/MX3660/MX4660/EM705/EM806/DM856/DM870/DM805-AI
86CM45	EM3E-870/MX3660/MX4660/EM705/EM806/DM856/DM870/DM805-AI
86CM80	EM3E-870/EM705/EM806/DM870/DM805-AI/DM1182/DM2282
86CM85	EM3E-870/EM705/EM806/DM870/DM805-AI/DM1182/DM2282
86CM120	EM3E-870/EM705/EM806/DM870/DM805-AI/DM1182/DM2282

Model	Matching Drivers
57CM13-BZ	EM3E-542/EM3E-556/EM3E-870/EM542S/EM556S
57CM23-BZ	EM3E-542/EM3E-556/EM3E-870/EM542S/EM556S
86CM45-BZ	EM3E-870
86CM85-BZ	EM3E-870
57HS13B-DJ	EM3E-542/EM3E-556/EM3E-870/EM542S/EM556S
57HSB21A	EM3E-556/EM3E-870/EM542S/EM556S
86HSB45E	EM3E-870/DM870
86HSB85E	EM3E-870/DM870

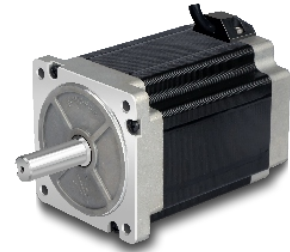


NEMA 34 2-phase

Overview:

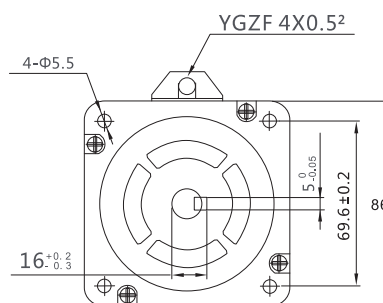
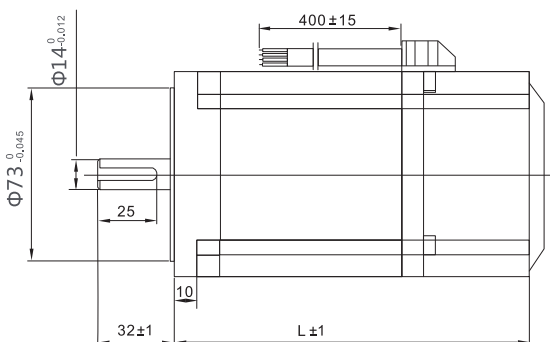
CM series NEMA 34 two-phase stepper motor covers multiple types of standard motors from 3.5 N.m to 12 N.m, along with the motors with double shafts, brake, and waterproof system to apply to various scenarios.

Note: In such specifications tables, (**) represents recommended models with permanent inventory; (*) represents the models with permanent inventory. Models with temporary inventory are stocked for four to six weeks.



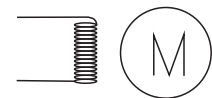
Brake Models:

Length (mm)	Model	Holding Torque (N.m)	Rate Current (A)	Resistance/Phase(Ω)	Inductance/Phase(mH)	Inertia (Kg.cm ²)	Matching Drives
114	86CM45-BZ	4.5	6	0.43	2.95	1.40	EM880S/EM882S
132	86CM80-BZ	8.0	6	0.63	4.0	2.50	EM880S/EM882S
152	86CM85-BZ	8.5	6	0.53	4.25	2.70	EM880S/EM882S
163	86CM120-BZ	12.0	6	0.75	5.30	2.94	EMA882S



A+ Black

A- Red

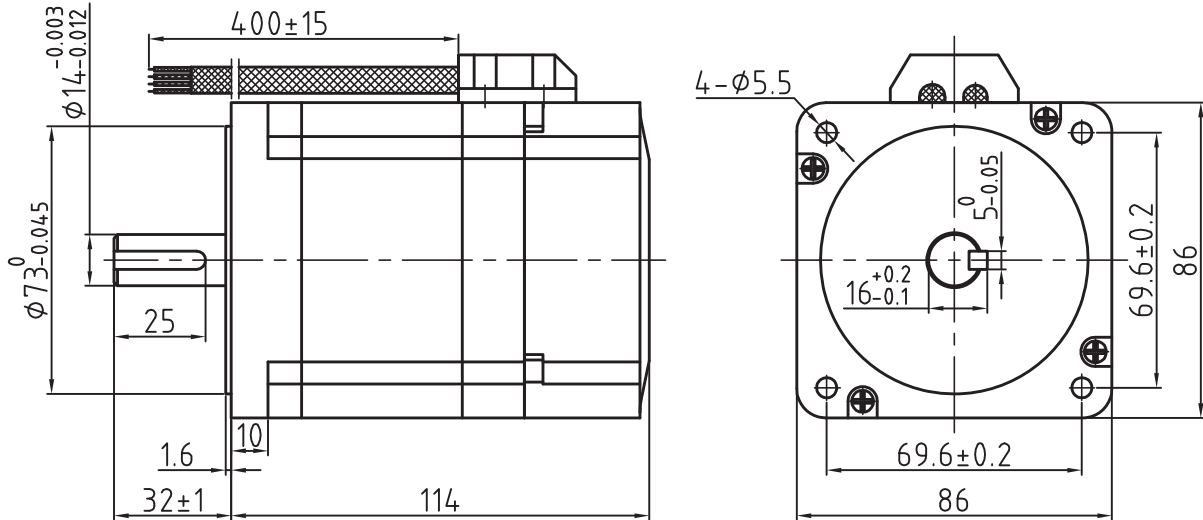


B+ Yellow B- Blue



86CM45-BZ

Dimension: (Unit: mm)



Common Rating

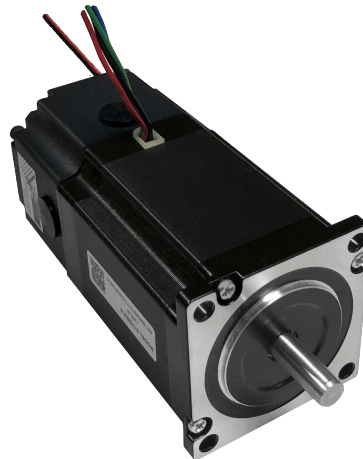
Step angle	1.8°
Position accuracy	1.8±0.09°
Dielectric strength	1000VAC 1min
Insulation resistance	100MΩhm(500VDC)
Insulation class	B
Temp rise(Max)	80K
Radial play	Max.0.02mm(Load 450g)
Axial play	Max.0.08mm(Load 900g)

Specification

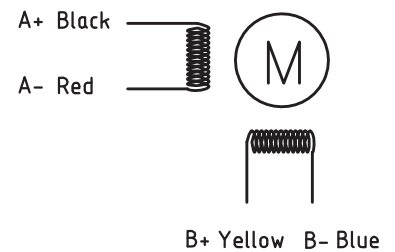
Current/phase	4.2 A
Voltage	3.2 V
DC Resistance/phase ±10%	0.51 Ω
Inductance/phase ±20%	4.7 mH
Holding torque	4.6 N·M
Inertia	2.0 kg·cm ²
Weight	2.9 kg

Brake Specification

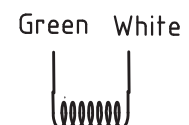
Voltage	24Vdc
Friction torque	4N·M



Motor Connctions

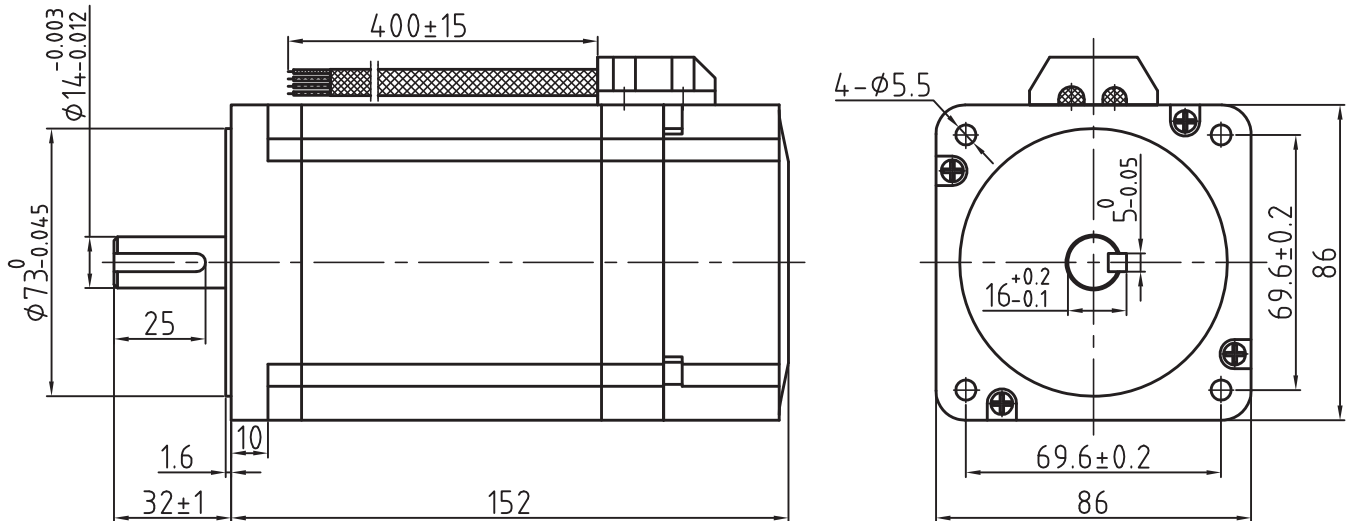


Brake Connctions



86CM85-BZ

Dimension: (Unit: mm)



Common Rating

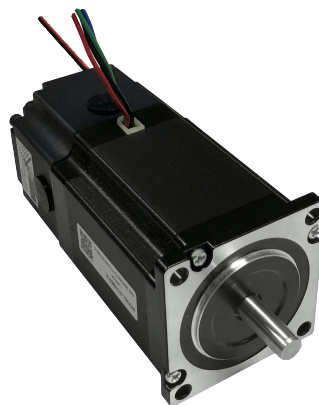
Step angle	1.8°
Position accuracy	1.8±0.09°
Dielectric strength	1000VAC 1min
Insulation resistance	100MΩhm(500VDC)
Insulation class	B
Temp rise(Max)	80K
Radial play	Max.0.02mm(Load 450g)
Axial play	Max.0.08mm(Load 900g)

Specification

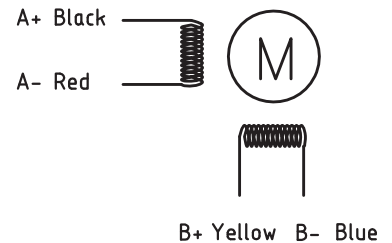
Current/phase	6.0 A
Voltage	3.2 V
DC Resistance/phase ±10%	0.53 Ω
Inductance/phase ±20%	3.9 mH
Holding torque	8 N·M
Inertia	2.8 kg·cm ²
Weight	4.2 kg

Brake Specification

Voltage	24Vdc
Friction torque	4N·M



Motor Connctions



Brake Connctions

