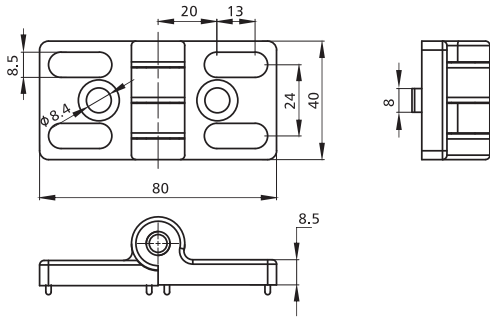
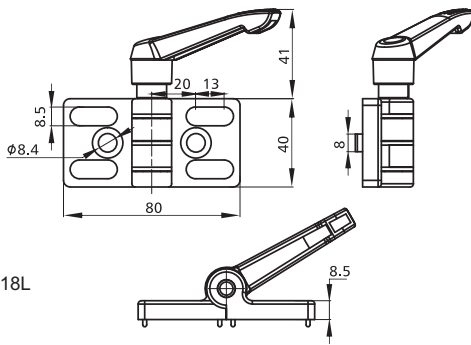
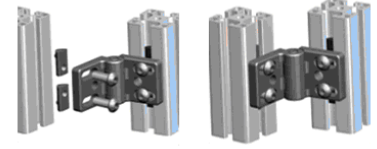
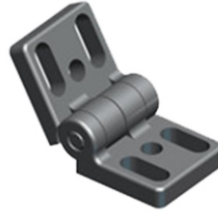


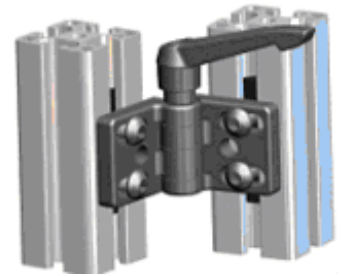
## Alu Profile Accessories/Hinges





3018



3018L



Slot	Item No.	Spec.	Material	Finish	PCS/CTN	KGS/CTN	CTN SIZE (mm)
	3018	40*40	Die-Cast Zinc	Black Powder Coated	80	14.4	225*170*180
	3018L	40*40 W/lock lever	Die-Cast Zinc	Black Powder Coated	40	10.45	225*170*180

