

## ASNU



### TYPE



Type ASNU is a roller type freewheel non-bearing supported. Bearings are required to support axial and radial loads. Lubrication and sealing must also be provided by the installation. Nominal outer diameter is the same as a series 63.. ball bearing.

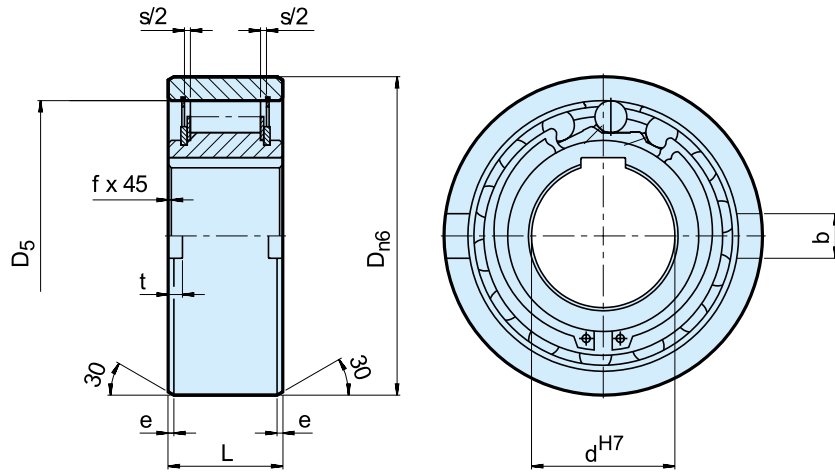
A typical arrangement is to install this type alongside a bearing within the same location tolerances, as shown on the following page. The inner race is keyed to the

shaft. The outer race has positive n6 tolerance, to give a press fit in a H7 housing. Additional side notches in the outer race provide for positive torque transmission.

If the housing is to K6 tolerance, use of the notches is not necessary, but the housing must be strong enough to not expand after assembly. This design can accept an axial misalignment of inner and outer race of  $\pm S/2$ .



ASNU



ASNU

| Type | Overrunning Speeds |                       |  |   |                  |               |           |           |           |           |           |           | Weight<br>[kg] | Drag Torque<br>$T_R$<br>[Ncm] |
|------|--------------------|-----------------------|--|---|------------------|---------------|-----------|-----------|-----------|-----------|-----------|-----------|----------------|-------------------------------|
|      | $d^{H7}$<br>[mm]   | $T_{KN}^{1)}$<br>[Nm] | $n_{max}^{2)}$<br>[min <sup>-1</sup> ] | $n_{amax}^{3)}$<br>[min <sup>-1</sup> ] | $D_{n6}$<br>[mm] | $D_s$<br>[mm] | L<br>[mm] | b<br>[mm] | t<br>[mm] | s<br>[mm] | e<br>[mm] | f<br>[mm] |                |                               |
| ASNU | 8                  | 12                    | 3300                                   | 5000                                    | 35               | 28            | 13        | 4         | 1,4       | 2,4       | 0,6       | 0,3       | 0,07           | 1,6                           |
|      | 12                 | 12                    | 3300                                   | 5000                                    | 35               | 28            | 13        | 4         | 1,4       | 2,4       | 0,6       | 0,3       | 0,06           | 1,6                           |
|      | 15                 | 30                    | 2400                                   | 3600                                    | 42               | 37            | 18        | 5         | 1,8       | 2,4       | 0,8       | 0,3       | 0,11           | 1,9                           |
|      | 17                 | 49                    | 2300                                   | 3400                                    | 47               | 40            | 19        | 5         | 2,3       | 2,4       | 1,2       | 0,8       | 0,15           | 1,9                           |
|      | 20                 | 78                    | 2100                                   | 3100                                    | 52               | 42            | 21        | 6         | 2,3       | 2,4       | 1,2       | 0,8       | 0,19           | 1,9                           |
|      | 25                 | 125                   | 1700                                   | 2600                                    | 62               | 51            | 24        | 8         | 2,8       | 2,4       | 1,2       | 0,8       | 0,38           | 5,6                           |
|      | 30                 | 255                   | 1400                                   | 2200                                    | 72               | 60            | 27        | 10        | 2,5       | 2,4       | 1,8       | 1         | 0,54           | 14                            |
|      | 35                 | 383                   | 1200                                   | 1900                                    | 80               | 70            | 31        | 12        | 3,5       | 2,4       | 1,8       | 1         | 0,74           | 16                            |
|      | 40                 | 538                   | 1100                                   | 1700                                    | 90               | 78            | 33        | 12        | 4,1       | 2,5       | 1,8       | 1         | 0,92           | 38                            |
|      | 45                 | 780                   | 1000                                   | 1600                                    | 100              | 85            | 36        | 14        | 4,6       | 2,5       | 1,8       | 1         | 1,31           | 43                            |
|      | 50                 | 1013                  | 850                                    | 1350                                    | 110              | 92            | 40        | 14        | 5,6       | 2,5       | 1,8       | 1         | 1,74           | 55                            |
|      | 60                 | 1825                  | 750                                    | 1050                                    | 130              | 110           | 46        | 18        | 5,5       | 3,6       | 2,6       | 1,5       | 2,77           | 110                           |
|      | 70                 | 2300                  | 600                                    | 950                                     | 150              | 125           | 51        | 20        | 6,9       | 3,6       | 2,6       | 1,5       | 4,16           | 140                           |
|      | 80                 | 3275                  | 550                                    | 850                                     | 170              | 140           | 58        | 20        | 7,5       | 3,6       | 2,6       | 1,5       | 6,09           | 180                           |
|      | 90                 | 5325                  | 500                                    | 750                                     | 190              | 160           | 64        | 20        | 8,0       | 3,6       | 2,6       | 2         | 8,2            | 230                           |
|      | 100                | 7250                  | 450                                    | 680                                     | 215              | 175           | 73        | 24        | 8,5       | 3,6       | 2,6       | 2         | 12,6           | 380                           |
|      | 120                | 13500                 | 370                                    | 550                                     | 260              | 215           | 86        | 28        | 10        | 3,6       | 2,6       | 2,5       | 22             | 650                           |
| 150  | 26625              | 300                   | 460                                    | 320                                     | 260              | 108           | 32        | 12        | 3,6       | 3,6       | 2,5       | 42        | 1000           |                               |
| 200  | 44500              | 230                   | 350                                    | 420                                     | 350              | 138           | 45        | 16        | 7,6       | 3,6       | 3         | 93        | 2000           |                               |

## NOTES

ASNU8-12, ASNU200 keyway to DIN 6885. 1, other sizes to DIN 6885.3

1)  $T_{max} = 2 \times T_{KN}$   
» Refer to Selection page 7 to 11

2) Inner race overruns

3) Outer race overruns

» Refer to mounting and maintenance instructions page 12 to 13

## MOUNTING EXAMPLE

