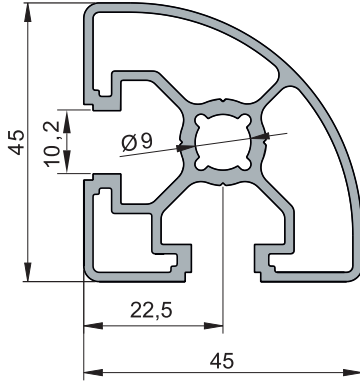
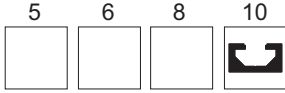


## OBC-45\*45 R



Part No.	Wy cm <sup>3</sup>	Wx cm <sup>3</sup>	Ly cm <sup>4</sup>	Lx cm <sup>4</sup>	L mm	coating	Material	Area cm <sup>2</sup>	Weight kg/m
OBC-45*45 R	3.38	3.38	8.5	8.5	6000	Anodizad	AL-6063	4.46	1.680

L(Standard) : 6050 mm



