

CSK..P, CSK..PP CSK..P-2RS



TYPE

CSK..P

CSK..PP



Types CSK..P and CSK..PP are sprag type freewheels integrated into 62.. series ball bearings (except size 40). They are bearing supported, delivered grease lubricated and protected against dust of more than 0,3 mm.

The use of additional “nylos” type seals is recommended especially when the working temperature exceeds 50°C. Oil bath lubrication is also possible.

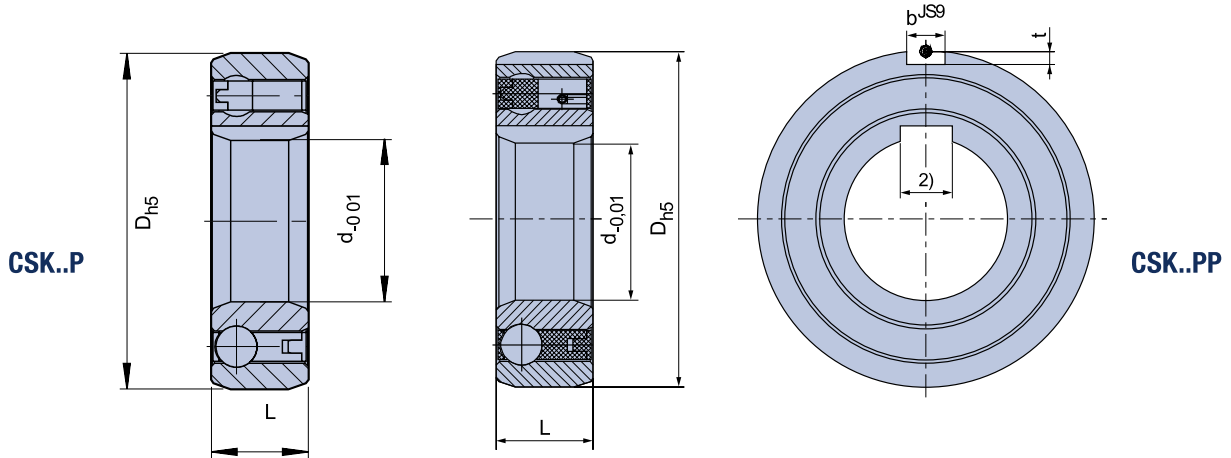
In addition to the basic CSK model, type CSK..P

features a keyway on the inner race. For this reason it can be keyed to a shaft to k6 tolerance. The outer race must still be pressed into a rigid steel housing to N6 tolerance.

CSK..PP features a keyway on both the inner and outer race. The recommended mounting tolerances are h6 on the shaft and H6 in a rigid housing. Please contact us when either the ambient or the operating temperature is not within the range +5°C to +60°C.



CSK..P, CSK..PP, CSK..P-2RS



Type	Size	Bearing series							Bearing loads		Weight	Drag torque
			$T_{KN}^{1)}$ [Nm]	n_{max} [min ⁻¹]	D [mm]	L [mm]	b [mm]	t [mm]	C [kN]	C ₀ [kN]		
CSK..P ²⁾	12	6201	9,3	10000	32	10			6,1	2,77	0,04	0,7
	15	6202	17	8400	35	11			7,4	3,42	0,06	0,9
	17	6203	30	7350	40	12			7,9	3,8	0,070	1,1
	20	6204	50	6000	47	14			9,4	4,46	0,110	1,3
	25	6205	85	5200	52	15			10,7	5,46	0,140	2,0
	30	6206	138	4200	62	16			11,7	6,45	0,210	4,4
	35	6207	175	3600	72	17			12,6	7,28	0,300	5,8
	40	-	325	3000	80	22			15,54	12,25	0,5	7,0
CSK..PP ²⁾	15	6202	17	8400	35	11	2	0,6	7,4	3,42	0,06	0,9
	17	6203	30	7350	40	12	2	1,0	7,9	3,8	0,070	1,1
	20	6204	50	6000	47	14	3	1,5	9,4	4,46	0,110	1,3
	25	6205	85	5200	52	15	6	2,0	10,7	5,46	0,140	2,0
	30	6206	138	4200	62	16	6	2,0	11,7	6,45	0,210	4,4
	35	6207	175	3600	72	17	8	2,5	12,6	7,28	0,300	5,8
CSK..P-2RS ²⁾	12	-	9,3	10000	32	14			6,1	2,77	0,05	3
	15	-	17	8400	35	16			7,4	3,42	0,07	4
	17	-	30	7350	40	17			7,9	3,8	0,09	5,6
	20	-	50	6000	47	19			9,4	4,46	0,145	6,0
	25	-	85	5200	52	20			10,7	5,46	0,175	6,0
	30	-	138	4200	62	21			11,7	6,45	0,270	7,5
	35	-	175	3600	72	22			12,6	7,28	0,4	8,2
	40	-	325	3000	80	27			15,54	12,25	0,6	10

NOTES

- $T_{max} = 2 \times T_{KN}$
» Refer to Selection page 7 to 11
- Keyway to DIN 6885.3
Size 40 keyway to DIN 6885.1
» Refer to mounting and maintenance instructions page 12 to 13

MOUNTING EXAMPLE

