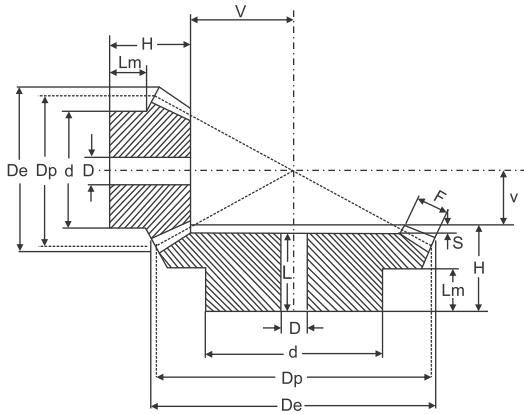


Bevel Gear Pairs With Usual Axes-Type A

Pressure angle 20°

Material : C45

Ratio 1:2



Modul	Z	Cod.	De	Dp	H	F	d	D	V	L	Lm	S
1.5	16	CC 271/2	26.7	24	19.5	8	21	10	16.33	17	11.3	1.5
	32		49.3	48	20	8	32	12	7.45	17	10	3
2	16	CC 281/2	35.6	32	23	10	26	10	22.41	21	12.2	2
	32		65.8	64	25	10	40	12	10.21	21	10	4
2.5	16	CC 291/2	44.4	40	27.5	12	34	12	28.38	25	14.4	2.5
	32		82.2	80	25	12	50	15	14.10	20	10	5
3	16	CC 301/2	53.4	48	28	15	40	15	33.64	25	11.6	3
	32		98.7	96	30	15	60	15	15.31	24	10	6
3.5	16	CC 351/2	62.3	56	33.5	18	48	15	38.83	30	14.4	3.5
	32		115.1	112	31	18	70	20	17.77	24	10	7
4	16	CC 311/2	71.1	64	36	20	50	20	44.81	32	13.4	4
	32		131.6	128	32	20	80	20	20.42	24	10	8
4.5	16	CC 451/2	80.1	72	39.5	22	60	20	51	35	15.4	4.5
	32		148.0	144	36	22	90	25	23.21	27	10	9
5	16	CC 321/2	88.9	80	50	25	60	20	56.06	45	21.1	5
	32		164.5	160	38	25	100	25	25.52	28	10	10

