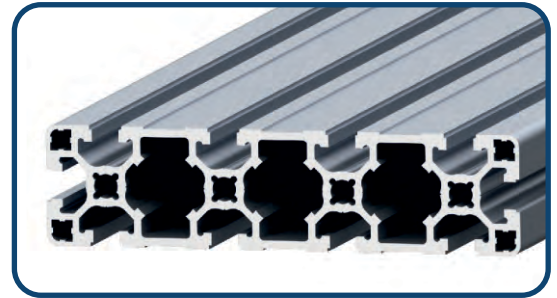
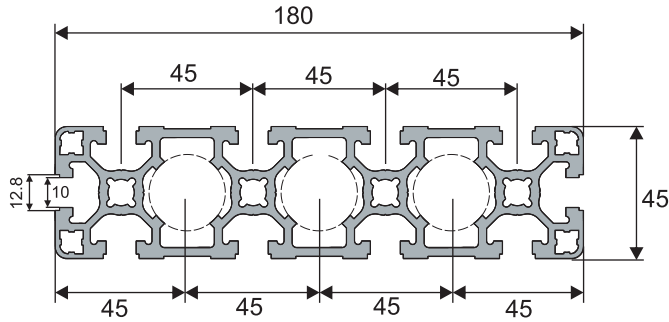
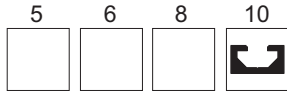


OBC-45*180



Part No.	Wy cm ³	Wx cm ³	Ly cm ⁴	Lx cm ⁴	L mm	coating	Material	Area cm ²	Weight kg/m
OBC-45*180	25.2	83	56.7	74.7	6000	Anodizad	AL-6063	25.1	6.77

L(Standard) : 6500 mm



