

SAMURAI LAMELLA APRONS

SAMURAI FASTLAP lamella aprons are a variation of the SAMURAI bellows. They were designed for Z axis covers in machining centres.

The substructure does not consist of ELASTIC bellows but only a carrier material to which the lamellas are fixed.



SAMURAI lamella apron

FASTLAP

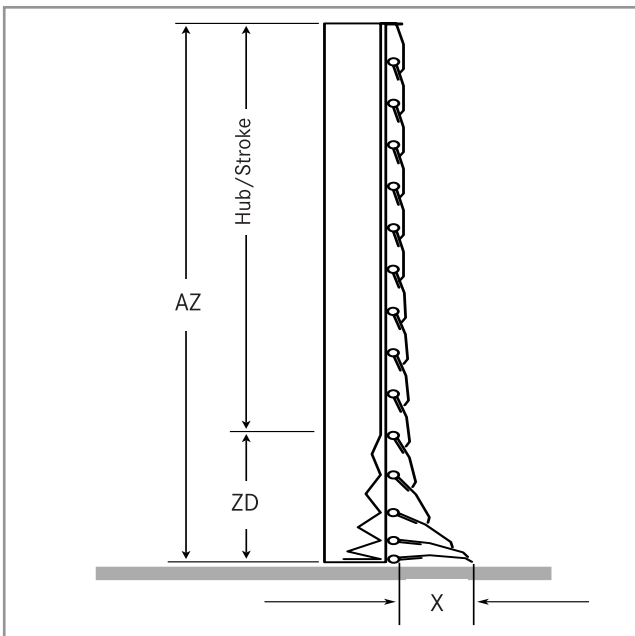
The lamellas are made of stainless steel of 0.5 mm thickness up to a maximum width of 4,000 mm, and mounting is simple. The compression per fold is about 4 mm.

The lamella apron requires a guide on both sides that must allow for a side length of 25 mm.

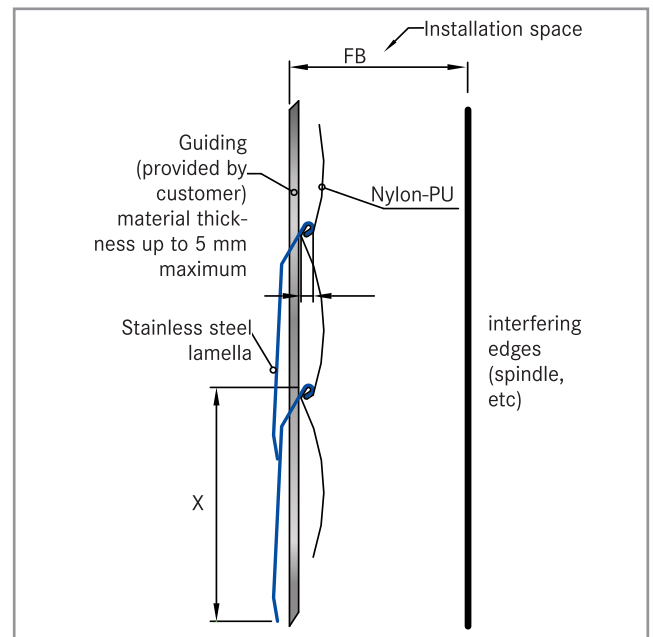
The lamella apron is secured to a tear-proof Nylon-PU material selected specifically for each application.



SAMURAI Lamella apron



FASTLAP Lamella apron

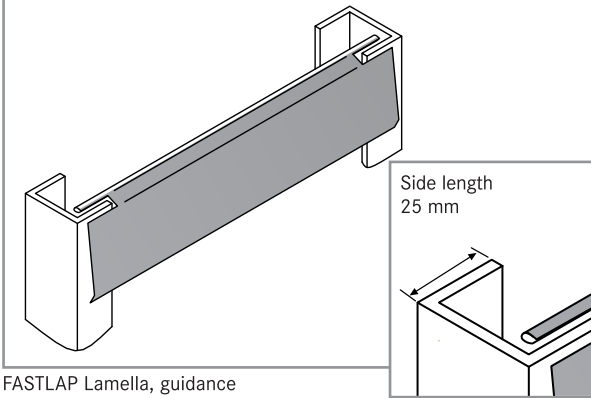


FASTLAP Lamella apron

Order and request forms available at: www.hema-group.com



SAMURAI LAMELLA APRONS



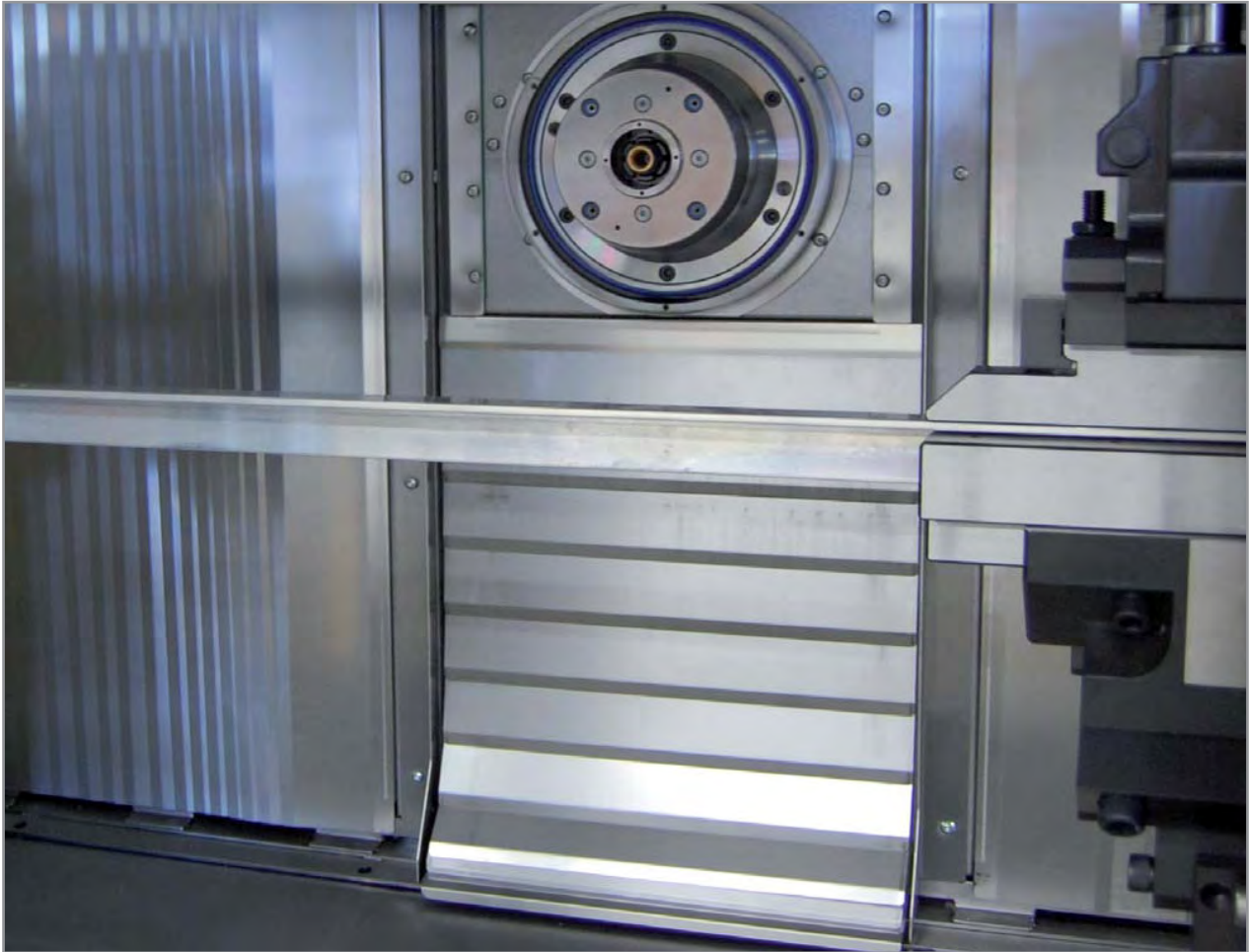
FASTLAP Lamella, guidance

Legende

FB	Width of fold
FZD	Compression per fold
FAZ	Extension per fold
X	Horizontal space required for the lamellas

FB	FAZ	FZD	X
25	38	4	65
30	48	4	75
35	58	4	85
40	68	4	95
45	78	4	105
50	88	4	115

FASTLAP



All dimensions in mm if not marked otherwise. Errors and omissions excepted.



تلفن : (021) 33913364 - 33951660

فکس : (021) 33985603