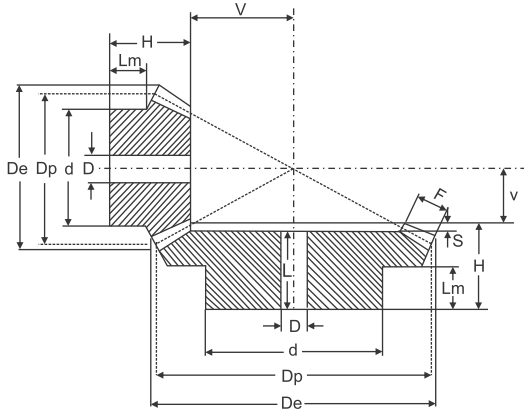


Bevel Gear Pairs With Usual Axes-Type B

Pressure angle 20°

Material : C45

Ratio 1:1



Modul	Z	Cod.	De	Dp	H	F	d	D	V	L	Lm	S
1	16	CC 26116	17.4	16.0	11.2	4	14.3	4	4.80	9.9	6.5	1.3
	19	CC 26119	20.4	19.0	11.8	4	15.3	4	6.20	10.5	6.5	1.3
	22	CC 26122	23.4	22.0	12.8	4.7	16.3	5	7.20	11.3	6.5	1.5
	26	CC 26126	27.4	26.0	13.3	5.5	20.3	5	8.70	11.8	7	1.5
	30	CC 26130	31.4	30.0	16	6.4	20.3	5	10.00	14.5	8	1.5
1.5	16	CC 27116	26.1	24.0	18.9	6	20.3	8	7.10	16.9	12	2
	19	CC 27119	30.6	28.5	21.3	7	20.3	8	8.70	19.3	12	2
	22	CC 27122	35.1	33.0	22.5	7.5	25.3	8	10.50	20.5	12	2
	26	CC 27126	41.1	39.0	23.2	8.5	28.3	8	12.80	21.2	12	2
	30	CC 27130	47.1	45.0	27.2	10	30.3	12	14.80	25.2	12	2
2	16	CC 28116	34.8	32.0	23.5	8	25.3	8	9.50	20.5	14	3
	19	CC 28119	40.8	38.0	24.2	9	25.3	8	11.80	21.2	12	3
	22	CC 28122	46.8	44.0	27.9	10	30.3	12	14.10	24.9	14	3
	26	CC 28126	54.8	52.0	31.4	12	35.3	12	16.60	28.4	14	3
	30	CC 28130	62.8	60.0	34.1	13	40.3	14	19.90	31.1	17	3
2.5	16	CC 29116	43.5	40.0	28.1	10	30.3	12	11.90	25.1	15	3
	19	CC 29119	51.0	47.5	27.1	11	35.3	12	14.90	24.1	13	3
	22	CC 29122	58.5	55.0	30.1	12	45.3	16	17.90	27.1	16	3
	26	CC 29126	68.5	65.0	33.2	15	45.3	16	20.80	30.2	16	3
	30	CC 29130	78.5	75.0	39	16	50.3	16	25.00	35.8	20	3.2
3	16	CC 30116	52.5	48.0	31.7	12	40.3	12	14.30	28	18	3.7
	19	CC 30119	61.2	57.0	36	13	40.3	14	18.00	32.5	17	3.5
	22	CC 30122	70.2	66.0	36.9	15	50.3	16	21.10	33	17	3.9
	26	CC 30126	82.2	78.0	38.4	17	50.3	16	25.60	35	18	3.4
	30	CC 30130	94.2	90.0	43.8	19	60.3	20	30.20	40	22	3.8
3.5	16	CC 35116	60.9	56.0	36.4	14	45.3	16	16.60	32	20	4.4
	19	CC 35119	71.5	66.5	37.8	15	50.3	18	21.00	33.3	19	4.5
	22	CC 35122	81.9	77.0	39.1	17	55.3	20	24.90	34.6	18	4.5
	26	CC 35126	96.0	91.0	43.35	20	62.3	20	29.70	38.8	20	4.5
	30	CC 35130	110.0	105.0	47.1	23	70.3	20	34.90	42.6	22	4.5

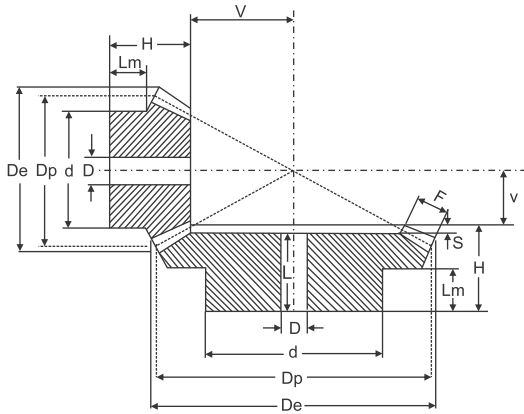


Bevel Gear Pairs With Usual Axes-Type B

Pressure angle 20°

Material : C45

Ratio 1:1



Modul	Z	Cod.	De	Dp	H	F	d	D	V	L	Lm	S
4	16	CC 31116	69.7	64.0	44.3	15	50.3	16	19.70	39.8	25	4.5
	19	CC 31119	81.7	76.0	44.4	18	55.3	20	23.60	39.9	22	4.5
	22	CC 31122	93.7	88.0	45.9	20	60.3	20	28.10	41	22	4.9
	26	CC 31126	109.7	104.0	48	25	70.3	20	34.00	43	22	5
	30	CC 31130	125.7	120.0	54.2	26	80.3	25	39.80	49	25	5.2
4.5	16	CC 45116	78.4	72.0	46.3	17.5	55.3	20	21.70	41.3	25	5
	19	CC 45119	91.8	85.5	49	20	62.3	20	26.57	44	25	5
	22	CC 45122	105.3	99.0	50.1	22	70.3	20	31.90	44.9	25	5.2
	26	CC 45126	123.0	117.0	54.7	25	75.3	20	38.60	49.2	26	5.5
	30	CC 45130	141.4	135.0	60	29	80.3	25	45.00	54	28	6
5	16	CC 32116	87.1	80.0	48.9	18	60.3	20	25.10	42.9	25	6
	19	CC 32119	102.1	95.0	52.2	22	60.3	20	29.80	46.2	25	6
	22	CC 32122	117.1	110.0	58.2	24	80.3	25	35.80	52.2	30	6
	26	CC 32126	137.1	130.0	62.7	29	80.3	25	42.30	56.7	30	6
	30	CC 32130	157.1	150.0	68.9	32	80.3	30	50.10	62.9	35	6

