

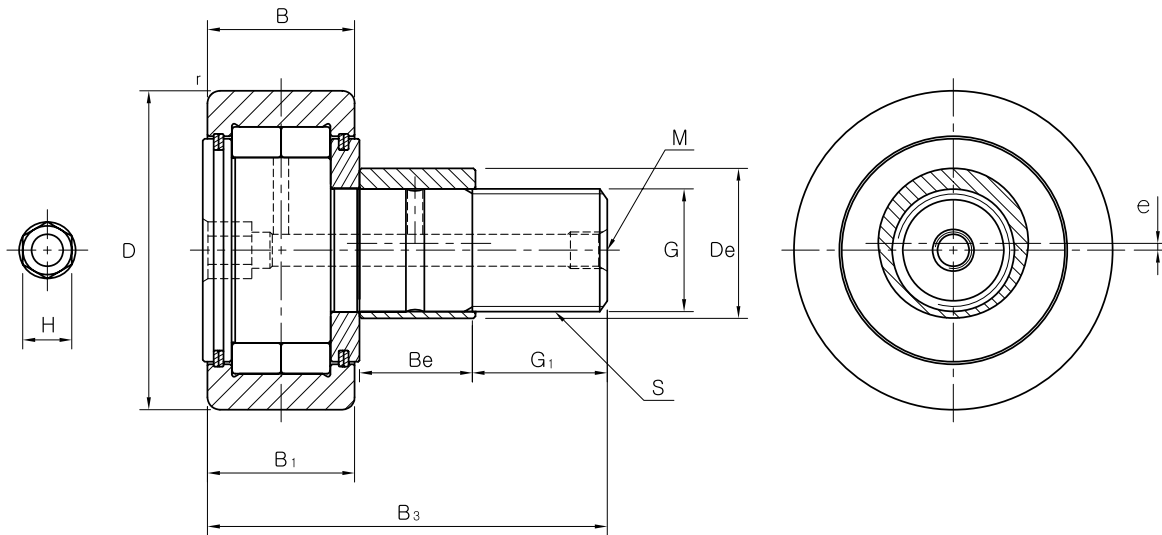
We take great pride in developing and manufacturing our bearings for ourselves.

STUD TYPE TRACK ROLLERS

DOUBLE ROW OF NEEDLE ROLLER
METRIC DIMENSION



NUKRE



NUKRE..

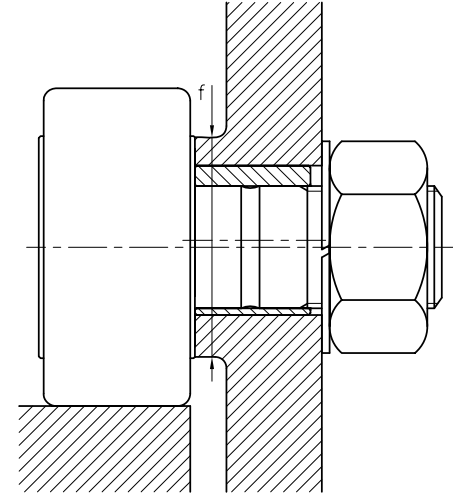
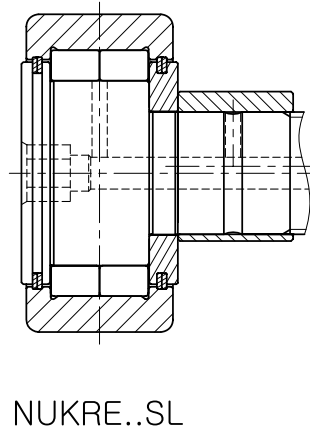
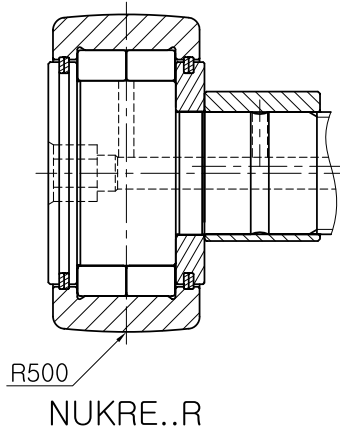
(Stud diameter) G mm	(Bearing No.)		(Dimensions) mm						
	(Crowned outer ring)	(Cylindrical outer ring)	H	D	(Thread sizes) S	B	B ₁	B ₃	M
16	NUKRE 35R	NUKRE 35S SL	6	35	M16×1.5	18	19.5	52	M6×1.0
18	NUKRE 40R	NUKRE 40S SL	10	40	M18×1.5	20	21.5	58	M6×1.0
20	NUKRE 47R	NUKRE 47S SL	10	47	M20×1.5	24	25.5	66	M6×1.0
20	NUKRE 52R	NUKRE 52S SL	10	52	M20×1.5	24	25.5	66	M6×1.0
24	NUKRE 62R	NUKRE 62S SL	12	62	M24×1.5	29	30.5	80	M6×1.0
24	NUKRE 72R	NUKRE 72S SL	12	72	M24×1.5	29	30.5	80	M6×1.0
30	NUKRE 80R	NUKRE 80S SL	12	80	M30×1.5	35	37	100	M6×1.0
30	NUKRE 90R	NUKRE 90S SL	12	90	M30×1.5	35	37	100	M6×1.0

These types are produced on customer's request.



STUD TYPE TRACK ROLLERS

DOUBLE ROW OF NEEDLE ROLLER
METRIC DIMENSION



(Dimensions) mm							(Basic dynamic load ratings) C Kgf	(Basic static load ratings) Co Kgf	(Limiting speed) rpm
r	(European Eccentric Ring)			(Asian Eccentric Ring)					
	De	Be	e	De	Be	e			
0.6	20	14	1.0	22	15.5	0.8	1,380	1,540	6,500
1.0	22	16	1.0	24	17.5	0.8	1,690	2,080	5,500
1.0	24	18	1.0	27	19.5	0.8	2,570	3,210	4,200
1.0	24	18	1.0	27	19.5	0.8	2,660	3,440	3,400
1.0	28	22	1.0	33	25.5	0.8	3,670	4,590	2,600
1.1	28	22	1.0	33	25.5	0.8	4,090	5,510	2,100
1.1	35	29	1.5	41	32.5	1.5	6,330	9,000	1,800
1.1	35	29	1.5	41	32.5	1.5	7,250	10,740	1,800

After assembly and oil lubrication, a hexagonal resin plug should be necessarily stopped up.

