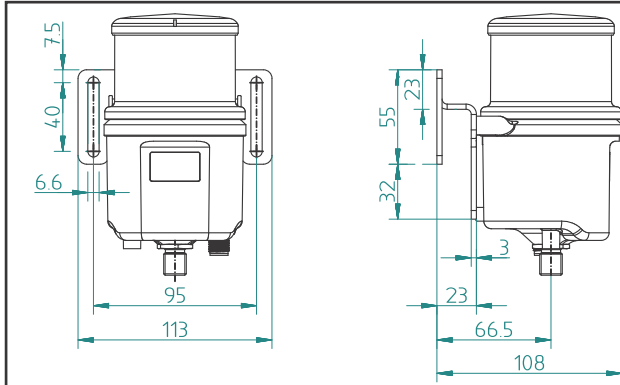


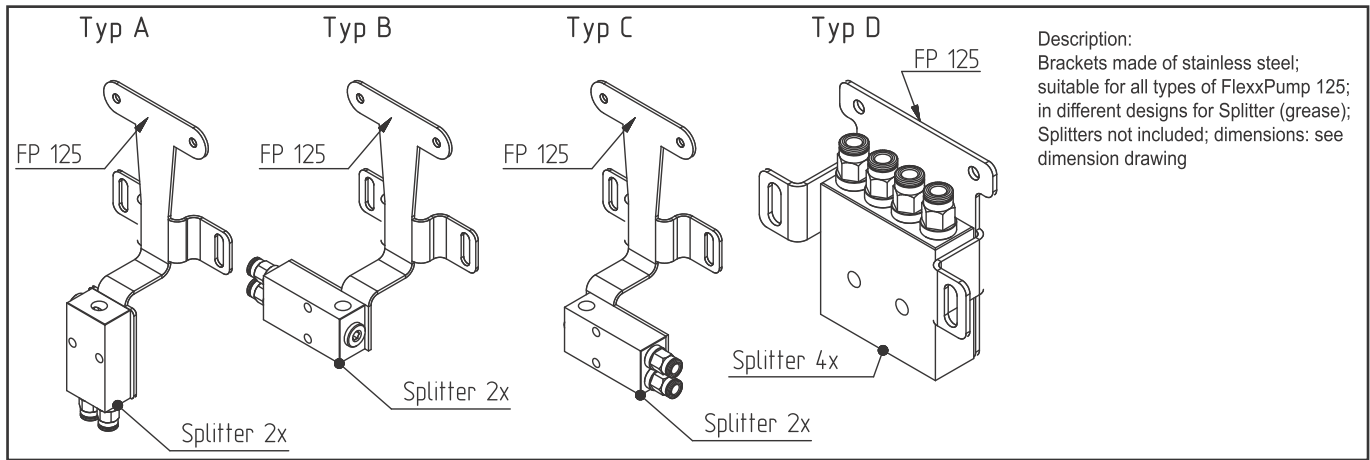
## 10.1 Accessories brackets FlexxPump 125



Description:  
Universal bracket suitable for types of FlexxPump 125; for easy mounting at backwards structure; FlexxPump 125 not included

Beschreibung	Material	Artikel-Nr.
Description	Material	Part-No.
Bracket for FlexxPump 125; suitable for all typs	Stainless steel	134-200-000
Light metal bracket for FlexxPump 125; suitable for all typs	Aluminium	134-210-000

## 10.2 Brackets FlexxPump 125 & Splitter

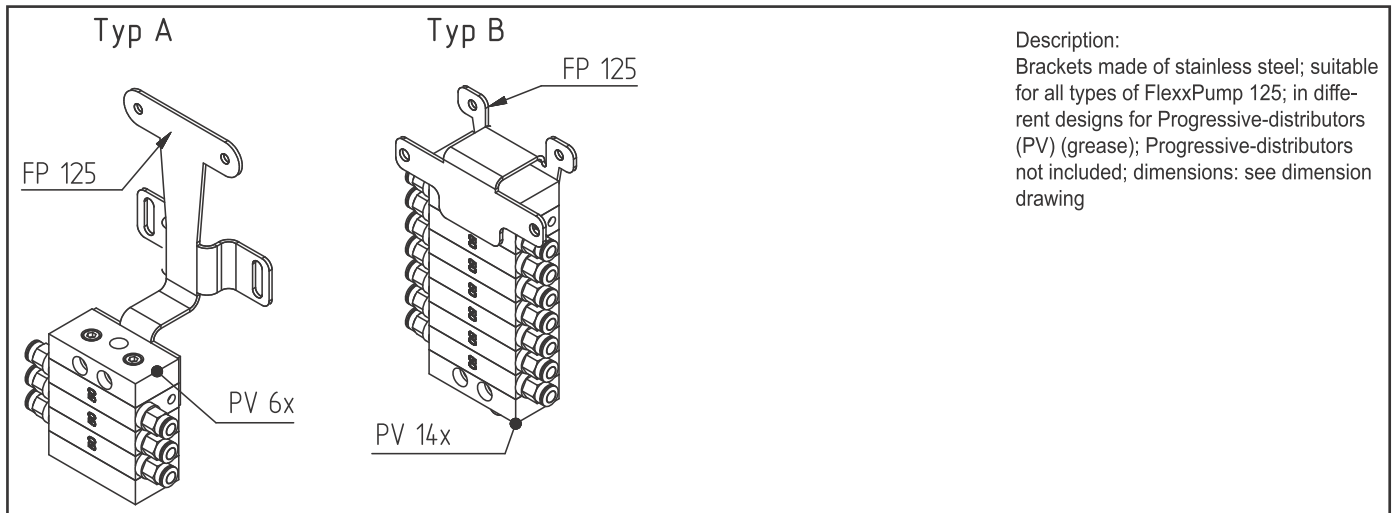


Description:  
Brackets made of stainless steel; suitable for all types of FlexxPump 125; in different designs for Splitter (grease); Splitters not included; dimensions: see dimension drawing

Typ	Typ Splitter	Lage Splitter	Artikel-Nr.
Type	Type Splitter	Position Splitter	Part-No.
A	2x (134-005-002)	below straight	134-200-002
	3x (134-005-003)		134-200-003
	4x (134-005-004)		134-200-004
B	2x (134-005-002)	below left	134-201-002
	3x (134-005-003)		134-201-003
	4x (134-005-004)		134-201-004
C	2x (134-005-002)	below right	134-202-002
	3x (134-005-003)		134-202-003
	4x (134-005-004)		134-202-004
D	2x (134-005-002)	behind	134-203-002
	3x (134-005-003)		134-203-003
	4x (134-005-004)		134-203-004



## 10.3 Brackets FlexxPump 125 & PV



Typ	Typ PV	Lage PV	FlexxPump		Artikel-Nr.
Type	Type PV	Position PV	125 B	125	Part-No.
A	2x (138-000-002)	below straight	++	++	134-200-102
	3x (138-000-003)		++	++	134-200-103
	4x (138-000-004)		++	++	134-200-104
	5x (138-000-005)		++	++	134-200-105
	6x (138-000-006)		++	++	134-200-106
	7x (138-000-007)		++	++	134-200-107
	8x (138-000-008)		++	++	134-200-108
	9x (138-000-009)		++	++	134-200-109
	10x (138-000-010)		++	++	134-200-110
	11x (138-000-003)		--	++	134-200-111
	12x (138-000-012)		--	++	134-200-112
	13x (138-000-013)		--	++	134-200-113
	14x (138-000-014)		--	++	134-200-114
	B		2x (138-000-002)	behind	++
3x (138-000-003)		++	++		134-203-103
4x (138-000-004)		++	++		134-203-104
5x (138-000-005)		++	++		134-203-105
6x (138-000-006)		++	++		134-203-106
7x (138-000-007)		++	++		134-203-107
8x (138-000-008)		++	++		134-203-108
9x (138-000-009)		++	++		134-203-109
10x (138-000-010)		++	++		134-203-110
11x (138-000-003)		--	++		134-203-111
12x (138-000-012)		--	++		134-203-112
13x (138-000-013)		--	++		134-203-113
14x (138-000-014)		--	++		134-203-114

### Notes:

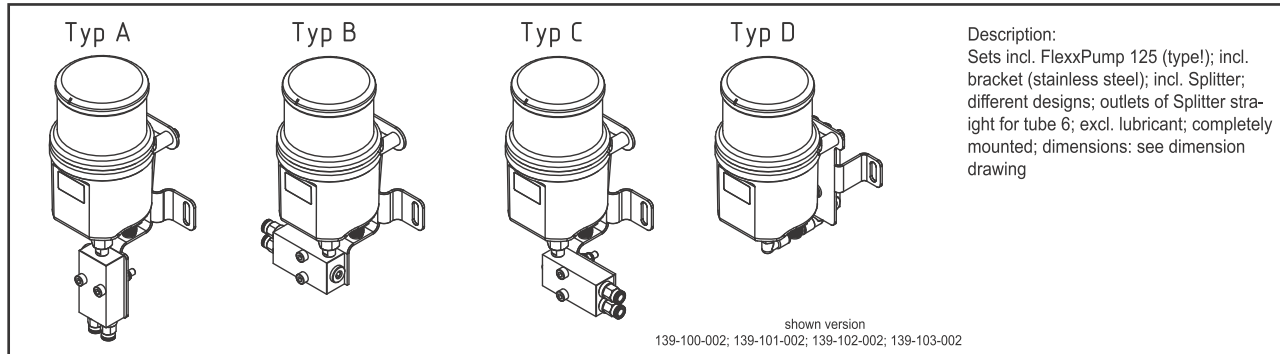
According of used design additional accessories may be needed.

FlexxPump 125 and distributor not included.

Sets incl. FlexxPump 125 and distributor completely mounted: see page 51.



## 10.4 Sets FlexxPump 125 & Splitter

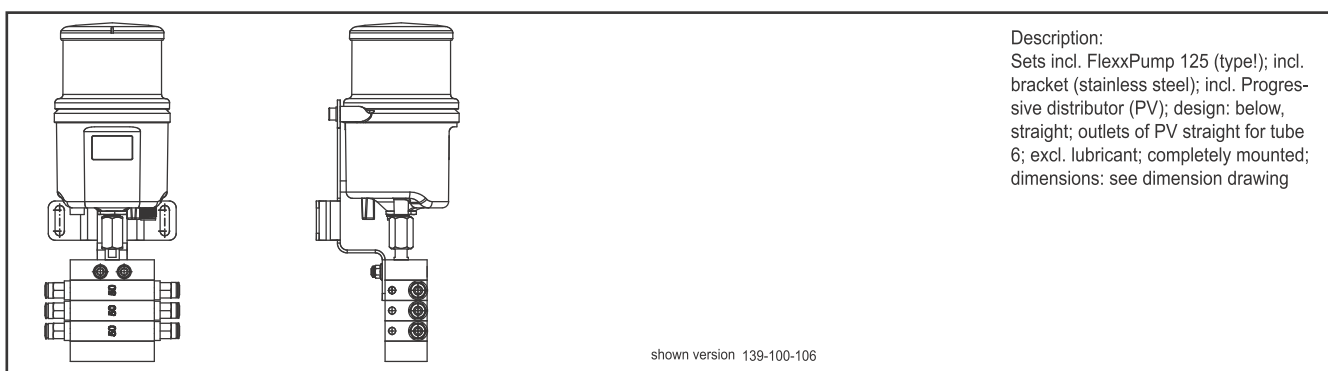


Typ FlexxPump 125	Lage Splitter	Typ Halter	Typ Splitter	Artikel-Nr.	
Type FlexxPump 125	Position Splitter	Typ Bracket	Type Splitter	Part-No.	
FlexxPump 125 B (135-125-000) timecontrolled	type A below straight	134-200-002	2x (134-005-002)	139-000-002	
		134-200-003	3x (134-005-003)	139-000-003	
		134-200-004	4x (134-005-004)	139-000-004	
FlexxPump 125 (135-125-100) timecontrolled		134-200-002	2x (134-005-002)	139-100-002	
		134-200-003	3x (134-005-003)	139-100-003	
		134-200-004	4x (134-005-004)	139-100-004	
FlexxPump 125 DLS (135-125-210) pulsecontrolled		134-200-002	2x (134-005-002)	139-200-002	
		134-200-003	3x (134-005-003)	139-200-003	
		134-200-004	4x (134-005-004)	139-200-004	
FlexxPump 125 B (135-125-000) timecontrolled		type B   below left	134-201-002	2x (134-005-002)	139-001-002
			134-201-003	3x (134-005-003)	139-001-003
			134-201-003	4x (134-005-004)	139-001-004
FlexxPump 125 (135-125-100) timecontrolled	134-201-002		2x (134-005-002)	139-101-002	
	134-201-003		3x (134-005-003)	139-101-003	
	134-201-004		4x (134-005-004)	139-101-004	
FlexxPump 125 DLS (135-125-210) pulsecontrolled	134-201-002		2x (134-005-002)	139-201-002	
	134-201-003		3x (134-005-003)	139-201-003	
	134-201-004		4x (134-005-004)	139-201-004	
FlexxPump 125 B (135-125-000) timecontrolled	type C   below right		134-202-002	2x (134-005-002)	139-002-002
			134-202-003	3x (134-005-003)	139-002-003
			134-202-004	4x (134-005-004)	139-002-004
FlexxPump 125 (135-125-100) timecontrolled		134-202-002	2x (134-005-002)	139-102-002	
		134-202-003	3x (134-005-003)	139-102-003	
		134-202-004	4x (134-005-004)	139-102-004	
FlexxPump 125 DLS (135-125-210) pulsecontrolled		134-202-002	2x (134-005-002)	139-202-002	
		134-202-003	3x (134-005-003)	139-202-003	
		134-202-004	4x (134-005-004)	139-202-004	
FlexxPump 125 B (135-125-000) timecontrolled		type D behind	134-203-002	2x (134-005-002)	139-003-002
			134-203-003	3x (134-005-003)	139-003-003
			134-203-004	4x (134-005-004)	139-003-004
FlexxPump 125 (135-125-100) timecontrolled	134-203-002		2x (134-005-002)	139-103-002	
	134-203-003		3x (134-005-003)	139-103-003	
	134-203-004		4x (134-005-004)	139-103-004	
FlexxPump 125 DLS (135-125-210) pulsecontrolled	134-203-002		2x (134-005-002)	139-203-002	
	134-203-003		3x (134-005-003)	139-203-003	
	134-203-004		4x (134-005-004)	139-203-004	

Lubricants in cartridges for FlexxPump 125: see page 30.



## 10.5 Sets FlexxPump 125 & Progressive distributors



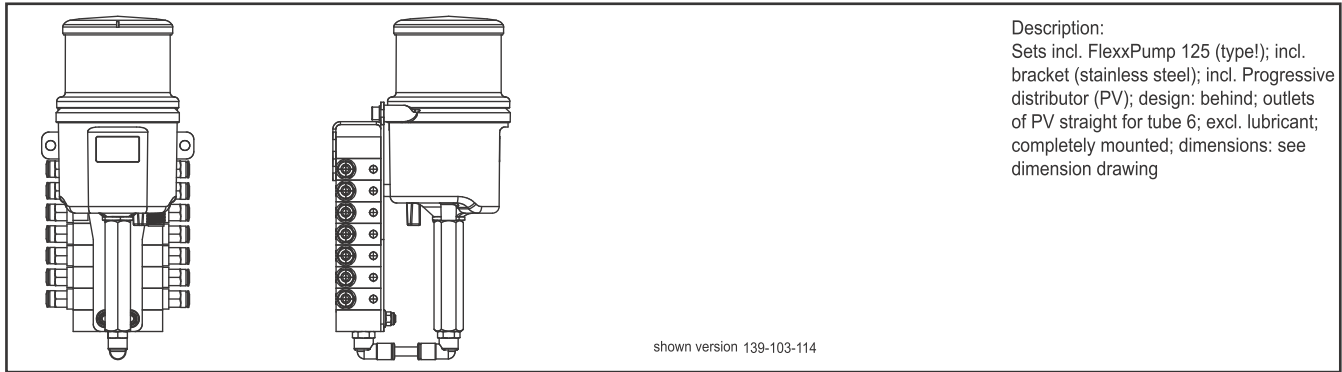
Description:  
Sets incl. FlexxPump 125 (type!); incl. bracket (stainless steel); incl. Progressive distributor (PV); design: below, straight; outlets of PV straight for tube 6; excl. lubricant; completely mounted; dimensions: see dimension drawing

Typ FlexxPump 125	Lage Verteiler	Typ Halter	Typ PV	Artikel-Nr.
Type FlexxPump 125	Position PV	Type bracket	Type PV	Part-No.
FlexxPump 125 B (135-125-000) timecontrolled	below straight	134-200-102	2x (138-000-002)	139-000-102
		134-200-103	3x (138-000-003)	139-000-103
		134-200-104	4x (138-000-004)	139-000-104
		134-200-105	5x (138-000-005)	139-000-105
		134-200-106	6x (138-000-006)	139-000-106
		134-200-107	7x (138-000-007)	139-000-107
		134-200-108	8x (138-000-008)	139-000-108
		134-200-109	9x (138-000-009)	139-000-109
		134-200-110	10x (138-000-010)	139-000-110
FlexxPump 125 (135-125-100) timecontrolled	below straight	134-200-102	2x (138-000-002)	139-100-102
		134-200-103	3x (138-000-003)	139-100-103
		134-200-104	4x (138-000-004)	139-100-104
		134-200-105	5x (138-000-005)	139-100-105
		134-200-106	6x (138-000-006)	139-100-106
		134-200-107	7x (138-000-007)	139-100-107
		134-200-108	8x (138-000-008)	139-100-108
		134-200-109	9x (138-000-009)	139-100-109
		134-200-110	10x (138-000-010)	139-100-110
		134-200-111	11x (138-000-011)	139-100-111
		134-200-112	12x (138-000-012)	139-100-112
		134-200-113	13x (138-000-013)	139-100-113
		134-200-114	14x (138-000-014)	139-100-114
		FlexxPump 125 DLS (135-125-210) pulsecontrolled	below straight	134-200-102
134-200-103	3x (138-000-003)			139-200-103
134-200-104	4x (138-000-004)			139-200-104
134-200-105	5x (138-000-005)			139-200-105
134-200-106	6x (138-000-006)			139-200-106
134-200-107	7x (138-000-007)			139-200-107
134-200-108	8x (138-000-008)			139-200-108
134-200-109	9x (138-000-009)			139-200-109
134-200-110	10x (138-000-010)			139-200-110
134-200-111	11x (138-000-011)			139-200-111
134-200-112	12x (138-000-012)			139-200-112
134-200-113	13x (138-000-013)			139-200-113
134-200-114	14x (138-000-014)			139-200-114

Lubricants in cartridges for FlexxPump 125:



## 10.5 Sets FlexxPump 125 & Progressiv-distributors



Description:  
Sets incl. FlexxPump 125 (type!); incl. bracket (stainless steel); incl. Progressive distributor (PV); design: behind; outlets of PV straight for tube 6; excl. lubricant; completely mounted; dimensions: see dimension drawing

Typ FlexxPump 125	Lage PV	Typ Halter	Typ PV	Artikel-Nr.
Type FlexxPump 125	Position PV	Type bracket	Type PV	Part-No.
FlexxPump 125 B (135-125-000) timecontrolled	behind	134-203-102	2x (138-000-002)	139-003-102
		134-203-103	3x (138-000-003)	139-003-103
		134-203-104	4x (138-000-004)	139-003-104
		134-203-105	5x (138-000-005)	139-003-105
		134-203-106	6x (138-000-006)	139-003-106
		134-203-107	7x (138-000-007)	139-003-107
		134-203-108	8x (138-000-008)	139-003-108
		134-203-109	9x (138-000-009)	139-003-109
FlexxPump 125 (135-125-100) timecontrolled	behind	134-203-102	2x (138-000-002)	139-103-102
		134-203-103	3x (138-000-003)	139-103-103
		134-203-104	4x (138-000-004)	139-103-104
		134-203-105	5x (138-000-005)	139-103-105
		134-203-106	6x (138-000-006)	139-103-106
		134-203-107	7x (138-000-007)	139-103-107
		134-203-108	8x (138-000-008)	139-103-108
		134-203-109	9x (138-000-009)	139-103-109
		134-203-110	10x (138-000-010)	139-103-110
		134-203-111	11x (138-000-011)	139-103-111
		134-203-112	12x (138-000-012)	139-103-112
FlexxPump 125 DLS (135-125-210) pulsecontrolled	behind	134-203-102	2x (138-000-002)	139-203-102
		134-203-103	3x (138-000-003)	139-203-103
		134-203-104	3x (138-000-004)	139-203-104
		134-203-105	5x (138-000-005)	139-203-105
		134-203-106	6x (138-000-006)	139-203-106
		134-203-107	7x (138-000-007)	139-203-107
		134-203-108	8x (138-000-008)	139-203-108
		134-203-109	9x (138-000-009)	139-203-109
		134-203-110	10x (138-000-010)	139-203-110
		134-203-111	11x (138-000-011)	139-203-111
		134-203-112	12x (138-000-012)	139-203-112
		134-203-113	13x (138-000-013)	139-203-113
134-203-114	14x (138-000-014)	139-203-114		

Lubricants in cartridges for FlexxPump 125:



تلفن : (021) 33913364 - 33951660

فکس : (021) 33985603

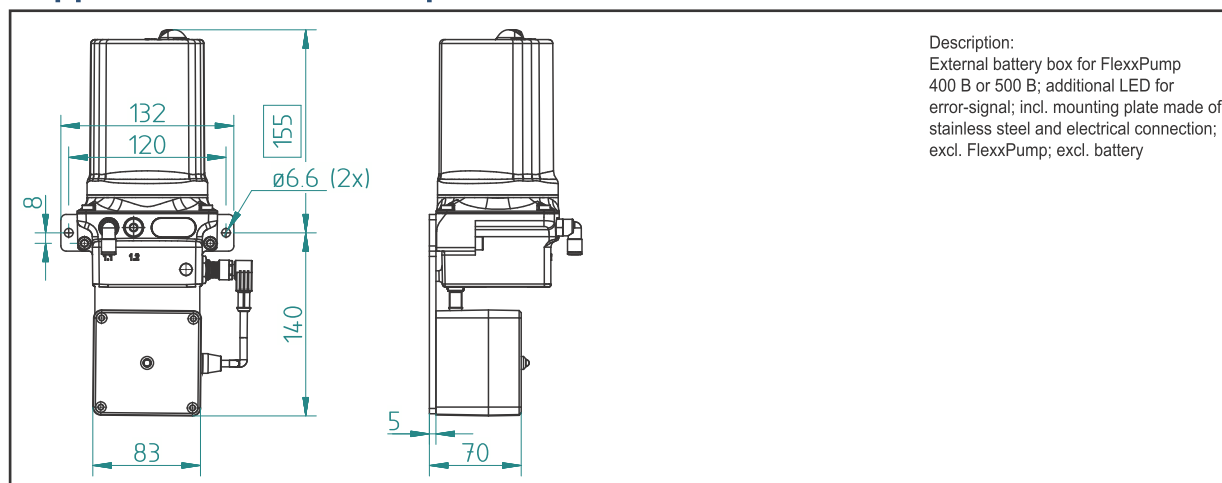
## 10.6 Accessories FlexxPump 125 B

Beschreibung	Artikel-Nr.
Description	Part-No.
Battery for FlexxPump 125 B; 4,5V; alkaline	134-002-025
Battery for FlexxPump 125 B; 4,5V; lithium	134-002-026

## 10.7 Accessories FlexxPump 400 (B) / 500 (B)

Beschreibung	Artikel-Nr.
Description	Part-No.
Battery for FlexxPump 400 B; 3V; lithium	134-002-004
Battery for FlexxPump 400 B; 3V; alkaline	134-002-024
Battery for FlexxPump 400 B / 500 B; 3V; lithium; use with external battery box only	134-002-027
Battery for FlexxPump 400 B / 500 B; 3V; alkaline; use with external battery box only	134-002-028
Cable M12x1 incl. red LED; 5m; use for FlexxPump 400 B with M12x1-plug only	134-002-016
Cable M12x1 incl. red LED; 10m; use for FlexxPump 400 B with M12x1-plug only	134-002-017
Cable M12x1; straight plug; 4-pin; open end; 5m	134-002-003
Cable M12x1; straight plug; 4-pin; open end; 10m	134-002-007
Cable M12x1; elbow plug with LED; 4-pin; open end; 5m	134-002-014
Cable M12x1; elbow plug with LED; 4-pin; open end; 10m	134-002-015

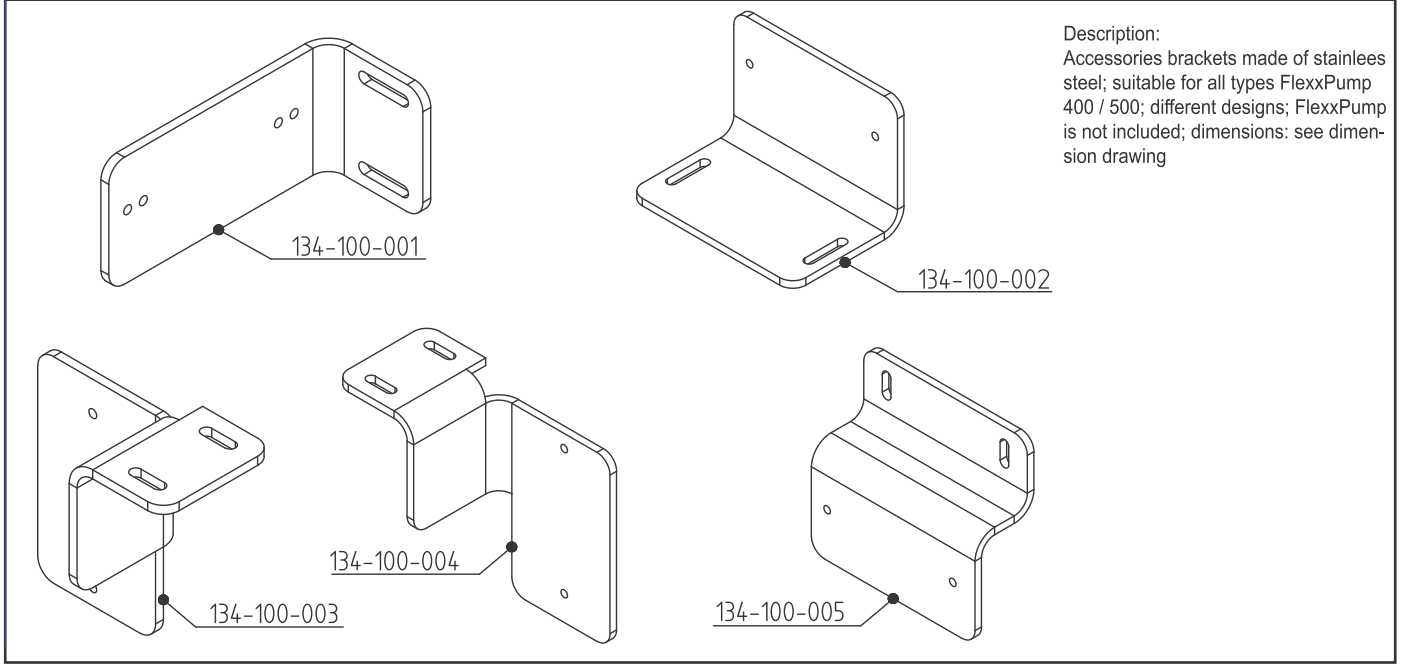
## Supplement for FlexxPump 400 B / 500 B



Beschreibung	Artikel-Nr.
Description	Part-No.
External battery box for FlexxPump 400 B / 500 B; for types 135-xx0-010 and 135-xx0-011 only	134-100-006



## 10.8 Brackets FlexxPump 400 / 500

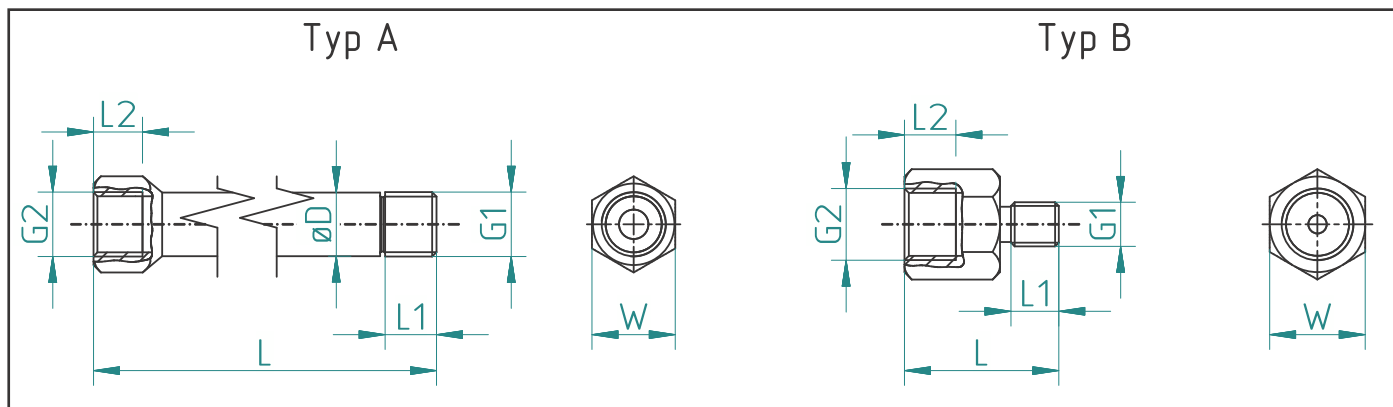


Beschreibung	Artikel-Nr.
Description	Part-No.
Bracket for type1; for FlexxPump 400 / 500	134-100-001
Bracket for type2; for FlexxPump 400 / 500	134-100-002
Bracket for type3; for FlexxPump 400 / 500	134-100-003
Bracket for type4; for FlexxPump 400 / 500	134-100-004
Bracket for type5; for FlexxPump 400 / 500	134-100-005





## 10.9 Accessories fittings



Typ Type	G1	L1	G2	L2	L	D	W	Material	Artikel-Nr.
								Material	Part-No.
A	G1/8	7,0	G1/4	12,0	35,0	13	17	Steel zinc-plated	134-000-700
A	G1/4	11,5	G1/4	10,0	85,0	13	17	Steel zinc-plated	134-000-701
A	G1/4	11,5	G1/4	10,0	104,0	13	17	Steel zinc-plated	134-000-702
A	G1/8	12	G1/8	15,0	50,0	14	17	Brass nickel-plated	134-000-703
B	M6	6,5	M10x1	7,0	21,0	--	13	Brass nickel-plated	134-000-704
B	M6	6,5	G1/8	7,0	21,0	--	13	Brass nickel-plated	134-000-705
B	M8	9,0	M6	7,5	19,2	--	10	Brass nickel-plated	134-000-706
B	M4	5,0	M3	6,0	16,0	--	6	Brass nickel-plated	134-000-707
B	M4	5,0	M6	7,0	18,5	--	9	Brass nickel-plated	134-000-708
B	M3	5,5	M6	7,0	17,5	--	9	Brass nickel-plated	134-000-709
B	M8	8,5	G1/8	8,0	24,0	--	17	Brass nickel-plated	134-000-710
B	M10x1	8,5	G1/4	8,0	24,0	--	17	Brass nickel-plated	134-000-711
A	G1/4	12,0	G1/4	10,0	122,0	14	17	Steel zinc-plated	134-000-712



## Tube Scissor

134-002-002

